



Product Data Sheet

TS350 Series

Advanced Level Dispenser

The TS350 Series dispenses low, medium and high-viscosity fluids accurately and consistently and is immediately usable anywhere in the world with its accompanying tools, accessories and universal power supply. A highly responsive air pressure and vacuum management system, coupled with a digital timing circuit and digital pressure/vacuum read out provides repeatable fluid dispensing.

The user friendly firmware provides an option of programming up to 10 varied, sequenced or individual shots. These systems have a user programmable manual (purge) and automatic dispense cycle settings (program and time) and they feature a "Teach Mode" for determining the dispensing time required with dispensing output is unknown. Available in 1 -100psi (0.07 - 6.9 bar) for general applications, and 0 - 15psi (0.07 - 1.0 bar) for specific low viscosity applications.

The dispenser is shipped with the following items:

- Universal power supply
- Foot switch
- Air hose
- Sample tips
- 10cc syringe barrel and receiver head
- Syringe barrel stand

TYPICAL APPLICATIONS

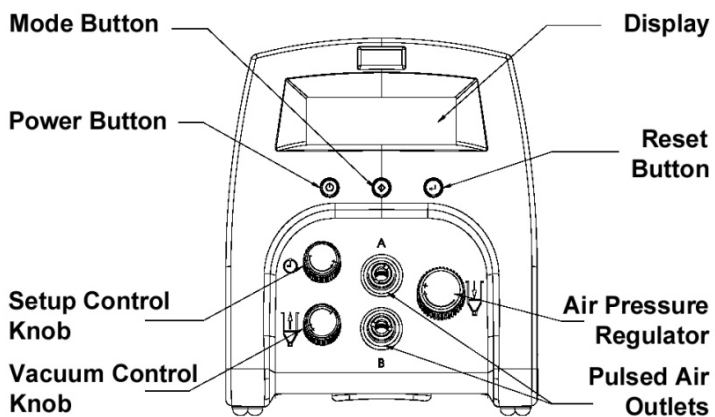
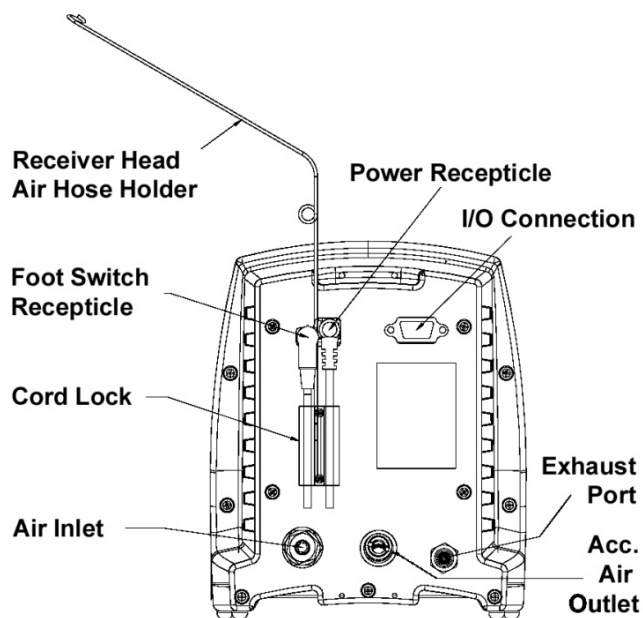
- Applying lubricant in Automotive electrical switches
- Dispensing UV beads in LCD bonding applications
- Impregnating humidity indicator cards (HIC) with fluid chemical in semiconductor packaging applications

KEY FEATURES AND BENEFITS

- Universal power supply for worldwide use
- 20 x 4 LCD display with back lighting
- All read outs displayed digitally
- Digital timing from 0.008 – 60seconds
- 10 programmable memories
- 4 modes of operation – Timed, Purge, Teach and Interrupt
- Adjustable vacuum suck back to control fluid tailing and waste



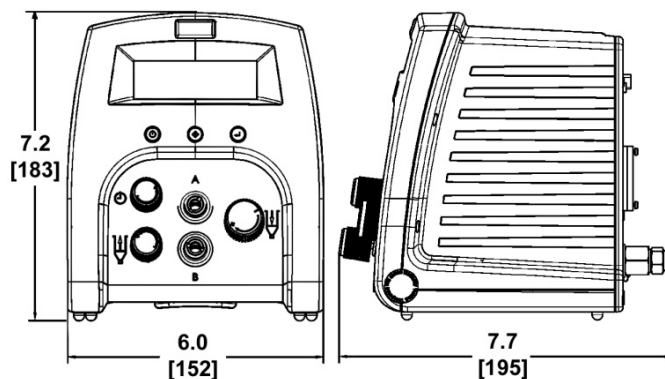
INDENTIFICATION OF FEATURES



SPECIFICATIONS & PART NUMBERS

Part Number:	TS350	TS355
Size (Imperial):	6" W x 7.7" L x 7.2" H	6" W x 7.7" L x 7.2" H
Size (Metric):	152mm x 195mm x 183mm	152mm x 195mm x 183mm
Weight:	2.6 lb (1200g)	2.6 lb (1200g)
Pressure Range:	0 to 100psi (0-6.9 bar)	0 to 15psi (0-1.0 bar)
Cycle Rate:	1200/min.	1200/min.
Timing Range:	0.008 – 60 seconds	0.008 – 60 seconds
Timing Repeat Tolerance:	+/- 0.001%	+/- 0.001%
Input Voltage:	100 – 240 VAC	100 – 240 VAC
Input Frequency:	50 – 60 Hz	50 – 60 Hz
Cycle Modes:	Timed, Purge, Teach, Int.	Timed, Purge, Teach, Int.
Certification:	CE, TUV-GS and NRTL	CE, TUV-GS and NRTL

Dimensions are in inches [mm]



ACCESSORIES

- **Syringe barrels:** The dispenser can be connected to any size syringe barrel or color. The syringe barrels connect to a receiver head which is the link between the dispenser and syringe barrel. Receiver heads are available with 3ft (0.9m) or 6ft (1.8m) air tubing
- **Dispensing Tips:** Suitable for use with all tip series. For the complete dispensing tip offering please visit www.techconsystems.com

For Sales and Support:

ULBRICH

www.ulbrich-group.com



LOCAL DISPENSING SOLUTIONS WORLDWIDE

