



Smart Auger Valves Controller TS570R

The TS570R is a Smart Auger valve controller capable of controlling all Techcon TS5000 and TS7000 series auger valve. With a universal power supply, it is a fully 'plug and play' system and can be used immediately, anywhere in the world.

The TS570R features an intuitive touch screen interface for easy setup and operation. Dispensing parameters can be precisely setup directly on the touch screen or remotely through the internet connection.

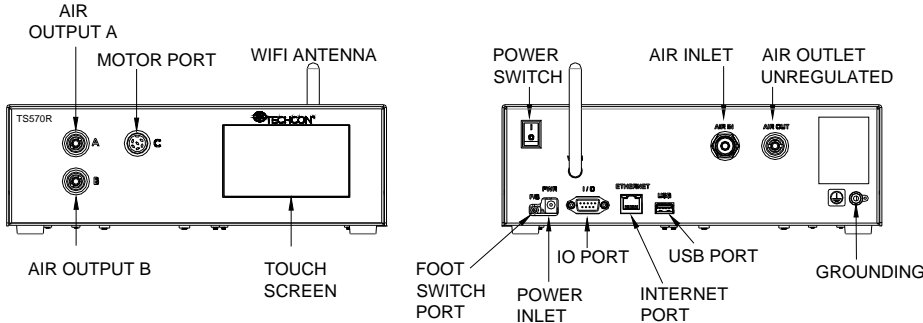
First in its class, the TS570R is equipped with internet port and WIFI connection to allow users to monitor and make precise parameter adjustment remotely. This feature enables the unit to fit in Smart factory that requires Industry 4.0.

Additional advance features include digital timer to provide accurate and repeatable dispense time, digital pressure regulator with dual-unit display to allow precise pressure control.

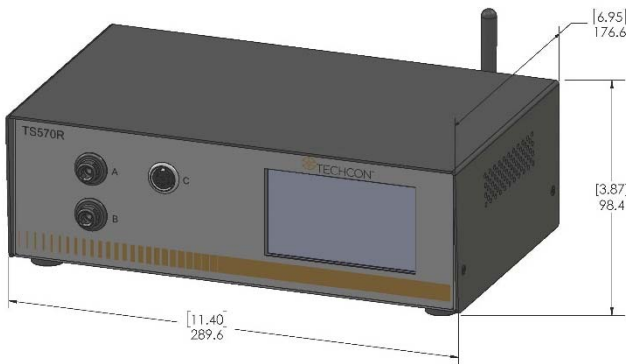
The user-friendly firmware provides an option of programming up to 50 varied, sequenced or individual. These systems have a user programmable "purge", "time" cycle settings and a "Teach Mode" for determining the dispensing time.

Integration into semi-automatic and automatic machinery is made easy with the I/O interface connector. Through use of the interface port, the cycle can be initiated, stopped and an end-of cycle signal can be fed back to the host machine in order to start the next cycle. A low-pressure warning feature is also included to help maintain uninterrupted operation.

IDENTIFICATION OF FEATURES



SPECIFICATIONS & PART NUMBERS



Part Number:	TS570R
Size (Imperial):	11.4" W x 8.3" L x 3.9" H
Size (Metric):	290mm x 211mm x 99mm
Weight:	6.8 lb (3100g)
Pressure Range:	0 to 100psi (0-6.9 bar)
Display:	Touch Screen
Timing Range:	0.008 – 99.9 seconds
Timing Tolerance:	+/- 0.001%
Input Voltage:	100 – 240 VAC
Cycle Rate:	900/min.
Cycle Modes:	Timed, Interrupt, Teach, Purge
Connectivity:	Ethernet, WIFI
Certification:	CE, TUV-GS

The controller is shipped with the following items:

- Universal power supply
- Foot switch
- Air house
- Air filter

ACCESSORIES

- Fluid reservoirs: The valve and controller can be used in combination with the TS1254 or TS1258 Pressure Tank
- Dispensing Tips: Suitable for use with all tip series. For the complete dispensing tip offering please visit www.techcon.com

Key Features & Benefits

- Touch Screen interface for easy setup and operation
- Industry 4.0 for “Smart Factory” integration
- Universal power supply for worldwide use
- Digital pressure regulator for precise control
- Digital timing control for repeatable output

Typical Applications

Control TS5000DMP-DCX valve for:

- Soldering paste dispensing
- Encapsulation and Potting applications
- Dispense UV adhesives

For Sales & Support please contact:

office@ulbrich-group.com

ULBRICH