

Oil Service Units

**UMPC 045 Lightline**

Oil service - simple, quick and compact · with integrated particle monitor



UMPC 045 Lightline

**Description**

The UMPC 045 Lightline is an oil service unit, dedicated for filling and cleaning of hydraulic or lubrication systems.

The unit is equipped with an oil cleanliness monitor. The OPCOM Particle Sensor permanently monitors the current cleanliness class during the cleaning or filling process. The data stored in the internal memory can be transmitted to a computer.

The EXAPOR<sup>®</sup>MAX 2 ultra-fine filter element is the heart of the UMPC 045 Lightline. A high separation efficiency guarantees excellent fluid cleanliness levels and thereby maximum protection of the machine. The high dirt-holding capacity of the filter elements (up to 1980 g) makes the UMPC 045 Lightline an economical choice for our customers.

**Characteristics**

**Pump design**

Gerotor pump

**Switching valve 1**

Installed in the pump block - for switching between two modes: "filtering" and "pumping over without filtering".

**Switching valve 2**

Installed in the front panel - for cleanliness measurement: "behind filter" (e.g. when filling systems) or "before filter" (e.g. when cleaning tank).

**Operating and transport position**

Operating position: upright  
Transport position: upright or horizontal

**Hydraulic fluids**

Mineral oil and biodegradable fluids (HEES and HETG, see info service sheet 00.20). Other fluids on request.

**Temperature range of fluids**

0 °C ... +65 °C / +32 °F ... +149 °F

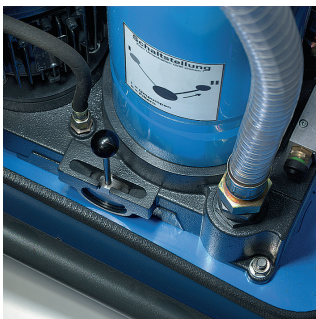
**Ambient temperature range**

0 °C ... +50 °C / +32 °F ... +122 °F

**Viscosity range\***

15 - 600 mm<sup>2</sup>/s - continuous operation  
15 - 800 mm<sup>2</sup>/s - short-term operation

\* An exact measurement of the oil cleanliness class is only possible within a viscosity range from 15 mm<sup>2</sup>/s to 250 mm<sup>2</sup>/s / 70 SUS to 1160 SUS.



Switching valve 1



Switching valve 2



OPCOM Particle Monitor  
(More info - data sheet 100.51)



EXAPOR<sup>®</sup>MAX 2 filter element

Technical data	
Nominal flow rate*	45 l/min / 11.9 gpm
Operating pressure	max. 7 bar / 101 psi
Filter fineness (Bx(c) = 200 according to ISO 16889:1999)	3 µm
Dirt-holding capacity	1950 g
Electric drive, model 15730	1 ~ 230 V, 50/60 Hz; 1.1 kW
Electric drive, model 45730	3 ~ 400 V, 50/60 Hz; 1.1 kW
Electric cable	length 6 m / 19.7 ft, plug type E
Suction hose	DN 32, length 2.7 m / 8.9 ft
Pressure hose	DN 25, length 2.7 m / 8.9 ft
Suction height max.	2.0 m / 6.6 ft
Weight	approx. 85 kg / 187.4 lbs
Clogging indicator	optical

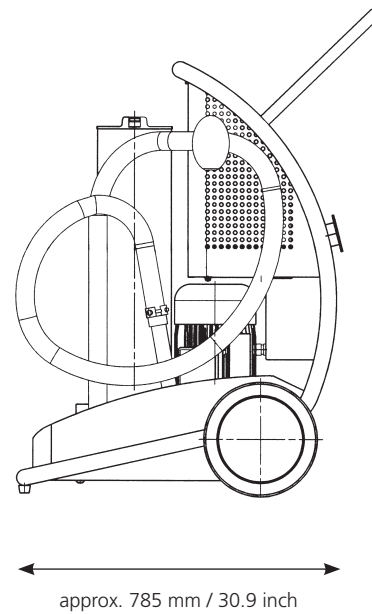
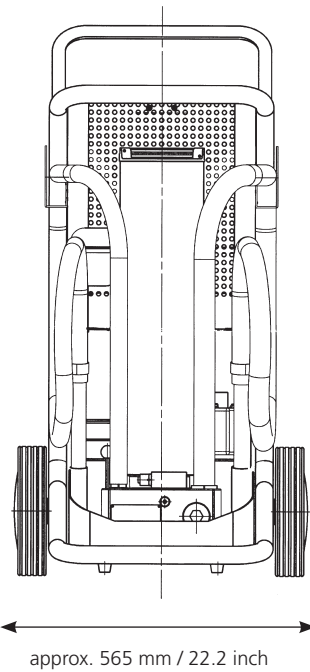
Unit order code	
UMPC 045-15730	model with 1~230 VAC motor
UMPC 045-45730	model with 3~400 VAC motor

Other versions and parameters on request.

Spare filter element code	Fineness Bx(c) = 200	Dirt / water capacity at 45 l/min / 11.9 gpm
V7.1560-103	3 µm	1950 g
V7.1560-03	5 µm	1980 g
V7.1560-06	10 µm	1980 g
EXAPOR®AQUA for filtration combined with dewatering		
Y7.1560-05	7 µm	590 g / 1520 ml
Suction filter - screen element	Filter surface	
S9.0417-13	280 µm	460 cm <sup>2</sup>

\* Indications at 50 Hz. At 60 Hz the value increases by 20%

## Dimensions



## Hydraulic symbol

