

# AIR PUMP

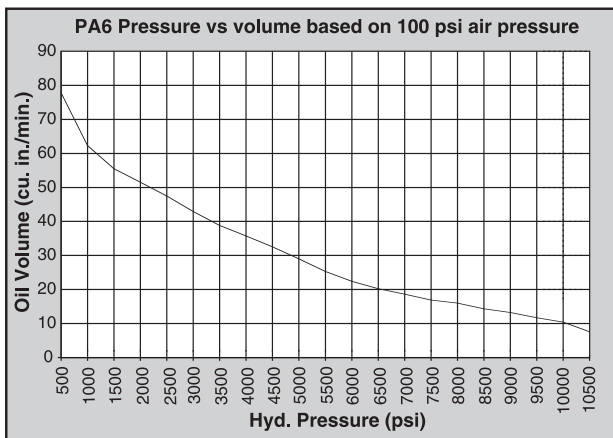
## Hydraulic PA6D Series

6 cu. in./min.

Double-Acting

**COMPACT, LIGHTWEIGHT AND PORTABLE SINGLE-SPEED PUMP FOR DRIVING DOUBLE-ACTING CYLINDERS.**

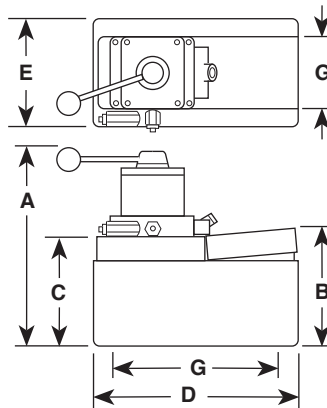
- Operate at 40-100 psi shop air pressure at the pump.
- Internal relief valve protects circuit components, air inlet filter protects motor.
- Serviceable pump motor is not a “throw away”, providing economical repair.
- Permanently vented reservoir cap.
- dBA 85 at 10,000 psi for all PA6 pumps.



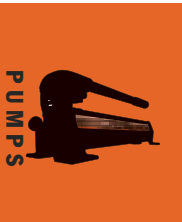
10,000 psi



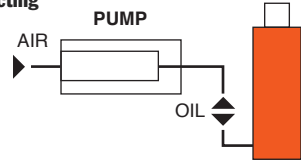
PA6D



Pump No.	A (in.)	B (in.)	C (in.)	D (in.)	E (in.)	G (in.)
PA6D	10 <sup>3</sup> / <sub>8</sub>	5 <sup>7</sup> / <sub>8</sub>	4 <sup>3</sup> / <sub>8</sub>	9 <sup>1</sup> / <sub>2</sub>	5	4 x 9
PA6DM	10 <sup>3</sup> / <sub>8</sub>	5 <sup>7</sup> / <sub>8</sub>	4 <sup>3</sup> / <sub>8</sub>	9 <sup>1</sup> / <sub>2</sub>	5	4 x 9
PA6DM-1	11	5 <sup>3</sup> / <sub>4</sub>	4 <sup>3</sup> / <sub>8</sub>	12 <sup>3</sup> / <sub>8</sub>	7 <sup>3</sup> / <sub>8</sub>	—
PA6D2	12 <sup>3</sup> / <sub>4</sub>	8	7	11 <sup>5</sup> / <sub>16</sub>	9 <sup>1</sup> / <sub>4</sub>	5 <sup>1</sup> / <sub>8</sub> x 7 <sup>1</sup> / <sub>8</sub>
PA6DM-2	12 <sup>1</sup> / <sub>2</sub>	7 <sup>3</sup> / <sub>4</sub>	6 <sup>3</sup> / <sub>4</sub>	11 <sup>1</sup> / <sub>2</sub>	9 <sup>1</sup> / <sub>2</sub>	8 x 10



Typical Set-up  
Hook-up for  
double-acting  
cylinders



PA6D pump, DG100 digital pressure gauge and 25 ton cylinder used in a test fixture.

Description	Order No.	Valve No.	Air Supply Req'd (psi)	Reservoir		Oil Port (in.)	Prod. Wt (lbs.)
				Cap. (cu. in.)	Usable (cu. in.)		
Base model pump with high density polyethylene reservoir.	<b>PA6D</b>	9504, 3-way/ 4-way	40-120	105	98	3/8 NPTF	18.4
PA6D, except has metal reservoir.	<b>PA6DM</b>	9504, 3-way/ 4-way	40-120	105	98	3/8 NPTF	20.4
PA6D, except has 1 gallon metal reservoir.	<b>PA6DM-1</b>	9504, 3-way/ 4-way	40-120	1 gal.	185	3/8 NPTF	28.1
PA6D, except has 2 gallon, high density polyethylene reservoir.	<b>PA6D2</b>	9504, 3-way/ 4-way	40-120	2 gal.	454	3/8 NPTF	28.6
PA6D, except has 2 1/2 gallon metal reservoir.	<b>PA6DM-2</b>	9504, 3-way/ 4-way	40-120	2 1/2 gal.	570	3/8 NPTF	36.2