

HIGH TONNAGE

RC Series

740 & 1220

Double-Acting, Hydraulic Return

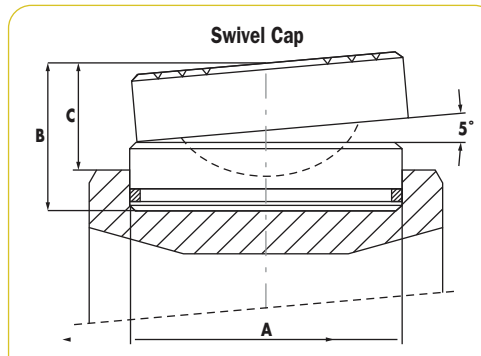
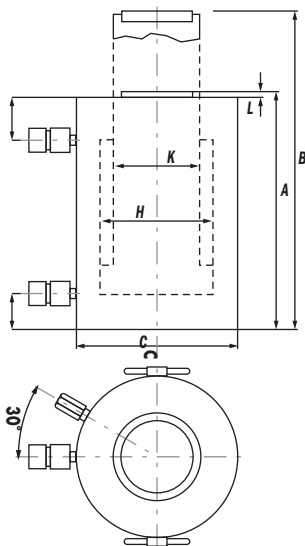
HIGH TONNAGE CYLINDERS RUGGED AND RELIABLE

- Cylinders come standard with hardened caps.
- Cylinders may be “dead-ended” without damage.
- Safety relief valve prevents over-pressurization of the retract circuit.
- Each cylinder has two 9796 3/8" NPTF female half couplers.



CYLINDERS

Double-Acting High Tonnage Cylinders



- **OPTIONAL SWIVEL CAPS REDUCE THE EFFECTS OF OFF-CENTER LOADING.**

Order No.	Used with Cyl. Order No.	A in.	B in.	C in.	Product Wt. lbs.
2000822	RC740*D	7.9	3.1	2.2	42.5
2000823	RC965*D	9.8	4.1	3.0	88.2
2000825	RC1220*D	12.7	6.9	4.9	249.1

In mm Cyl. Cap. (tons)	Stroke (in.)	Order No.	Oil Cap. (cu. in.)	A Retracted Height (in.)	B Extended Height (in.)	C Outside Dia. (in.)	F Base to Port (in.)	G Cyl. Top to Port (in.)	H Bore Dia. (in.)	K Piston Rod Dia. (in.)	L Piston Rod Protrusion (in.)	Cyl. Effective Area (cu. in.)	10,000 psi	Product Wt.
740	2.0	RC7402D	293.6	11.1	13.1	16.9	2.6	3.9	13.8	11.01	0.4	149.1	742	670
740	6	RC7406D	880.7	15.7	21.6	16.9	2.6	3.9	13.8	11.01	0.4	149.1	742	877
740	10	RC74010D	1,467.8	20.0	29.8	16.9	2.6	3.9	13.8	11.01	0.4	149.1	742	1080
965	2.0	RC9652D	383.2	12.2	14.2	19.3	2.8	4.5	15.7	14.17	0.4	194.8	970	957
965	6	RC9656D	1,150.2	16.5	22.4	19.3	2.8	4.5	15.7	14.17	0.4	194.8	970	1,215
965	10	RC96510D	1,916.2	20.9	30.7	19.3	2.8	4.5	15.7	14.17	0.4	194.8	970	1,473
1220	2.0	RC12202D	485.1	13.0	15.0	21.7	3.1	5.3	17.7	14.17	0.4	246.5	1227	1,287
1220	6	RC12206D	1,455.8	17.3	23.2	21.7	3.1	5.3	17.7	14.17	0.4	246.5	1227	1,612
1220	10	RC122010D	2,452.2	21.7	31.5	21.7	3.1	5.3	17.7	14.17	0.4	246.5	1227	1,936