

# LOW PROFILE

## RLS Series

5-150 Ton

Single-Acting, Spring-Return



CYLINDERS

### IDEAL FOR CONFINED AREAS FROM 1<sup>5</sup>/<sub>8</sub>" TO 4" CLEARANCE.

- Cylinder body, piston and gland nut "Power Tech" treated for corrosion and abrasion resistance (see page 8).
- Standard domed piston rod (5-30 ton) or swivel cap (50-150 ton) minimize effects of off-center loading.
- Unique heavy duty spring provides fast piston return.
- A 9796 3<sup>3</sup>/<sub>8</sub>" NPTF female half coupler is standard with each cylinder (the RLS50 has a 3<sup>3</sup>/<sub>8</sub>" coupler which is not angled). Oil ports are 3<sup>3</sup>/<sub>8</sub>" NPTF.
- Couplers on all cylinders, except RLS50, are angled upward for extra clearance.



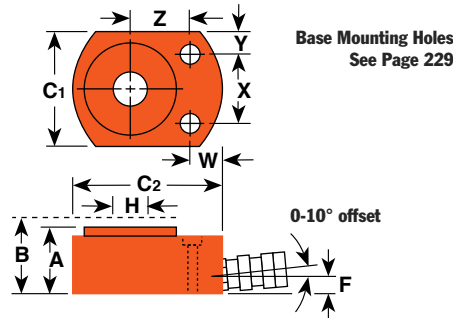
RLS100



ASME B30.1  
10,000 PSI



RLS1000S



Cyl. Cap. (tons)	Stroke (in.)	Order No.	Oil Cap. (cu. in.)	A	B	C1 & C2	F	H	W	X	Y	Z	Bore Dia. (in.)	Cyl. Area (sq. in.)	Eff. at Cap. (psi)	Int. Press. (psi)	Tons at 10,000 psi	Prod. Wt. (lbs.)
				Re-tracted Height (in.)	Ex-tended Height (in.)	Outside Dia. (in.)	Base to Port (in.)	Piston Rod Dia. (in.)	Mounting Hole Location (in.)									
5	9/16	RLS50	.62	1 <sup>5</sup> / <sub>8</sub>	2 <sup>3</sup> / <sub>16</sub>	1 <sup>5</sup> / <sub>8</sub> X 2 <sup>9</sup> / <sub>16</sub>	3/4	5/8	3/4	1 <sup>1</sup> / <sub>8</sub>	1/4	1	1 <sup>1</sup> / <sub>8</sub>	.994	10,061	4.97	2.2	
10	7/16	RLS100	1.0	1 <sup>3</sup> / <sub>4</sub>	2 <sup>3</sup> / <sub>16</sub>	2 <sup>3</sup> / <sub>16</sub> X 3 <sup>1</sup> / <sub>4</sub>	5/8	3/4	1 <sup>1</sup> / <sub>16</sub>	1 <sup>7</sup> / <sub>16</sub>	3/8	1 <sup>5</sup> / <sub>16</sub>	1 <sup>11</sup> / <sub>16</sub>	2.236	8,943	11.18	3.3	
20	7/16	RLS200	2.0	2	2 <sup>7</sup> / <sub>16</sub>	3 X 4	2 <sup>1</sup> / <sub>32</sub>	1 <sup>1</sup> / <sub>8</sub>	2 <sup>3</sup> / <sub>32</sub>	1 <sup>15</sup> / <sub>16</sub>	1 <sup>7</sup> / <sub>32</sub>	1 <sup>9</sup> / <sub>16</sub>	2 <sup>3</sup> / <sub>8</sub>	4.430	9,029	22.15	5.6	
30	1/2	RLS300	3.2	2 <sup>5</sup> / <sub>16</sub>	2 <sup>13</sup> / <sub>16</sub>	3 <sup>3</sup> / <sub>4</sub> X 4 <sup>1</sup> / <sub>2</sub>	2 <sup>3</sup> / <sub>32</sub>	1 <sup>3</sup> / <sub>8</sub>	1 <sup>3</sup> / <sub>16</sub>	2 <sup>1</sup> / <sub>16</sub>	2 <sup>7</sup> / <sub>32</sub>	1 <sup>3</sup> / <sub>4</sub>	2 <sup>7</sup> / <sub>8</sub>	6.492	9,242	32.46	8.6	
50	5/8	RLS500S	6.0	2 <sup>5</sup> / <sub>8</sub>	3 <sup>1</sup> / <sub>4</sub>	4 <sup>1</sup> / <sub>2</sub> X 5 <sup>1</sup> / <sub>2</sub>	2 <sup>7</sup> / <sub>32</sub>	1 <sup>3</sup> / <sub>4</sub>	1 <sup>5</sup> / <sub>16</sub>	2 <sup>5</sup> / <sub>8</sub>	1 <sup>5</sup> / <sub>16</sub>	2 <sup>1</sup> / <sub>8</sub>	3 <sup>1</sup> / <sub>2</sub>	9.621	10,394	48.10	14.0	
75	5/8	RLS750S	9.9	3 <sup>1</sup> / <sub>8</sub>	3 <sup>3</sup> / <sub>4</sub>	5 <sup>17</sup> / <sub>32</sub> X 6 <sup>1</sup> / <sub>2</sub>	1	2 <sup>1</sup> / <sub>8</sub>	1 <sup>5</sup> / <sub>16</sub>	3	1 <sup>17</sup> / <sub>64</sub>	2 <sup>19</sup> / <sub>32</sub>	4 <sup>1</sup> / <sub>2</sub>	15.904	9,431	79.52	23.3	
100	5/8	RLS1000S	12.3	3 <sup>3</sup> / <sub>8</sub>	4	6 X 7	1	2 <sup>1</sup> / <sub>2</sub>	1 <sup>3</sup> / <sub>16</sub>	3	1 <sup>1</sup> / <sub>2</sub>	2 <sup>13</sup> / <sub>16</sub>	5	19.635	10,186	98.17	30.0	
150	9/16	RLS1500S	17.2	4	4 <sup>9</sup> / <sub>16</sub>	7 <sup>1</sup> / <sub>2</sub> X 8 <sup>1</sup> / <sub>2</sub>	1 <sup>5</sup> / <sub>16</sub>	3	1 <sup>5</sup> / <sub>16</sub>	4 <sup>5</sup> / <sub>8</sub>	1 <sup>7</sup> / <sub>16</sub>	3 <sup>1</sup> / <sub>8</sub>	6 <sup>1</sup> / <sub>4</sub>	30.680	9,778	153.39	52.0	