

H FRAME PRESSES

100 Ton Presses

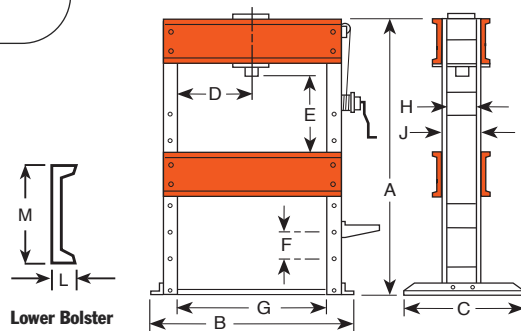
- Cylinder workhead glides across upper frame on rollers, locks in place for off-center pressing jobs. May be used horizontally for special pressing applications with user-supplied supports.
- Press bed is raised and lowered by winch which locks in place for insertion of bed retaining pins. Upper bolster can be lowered 8" for convenient positioning on repetitive jobs.
- Generous "daylight" of 42" x 50" accommodates bulky work pieces, uprights are placed for easy side entry of bars or shafts for straightening or bending.
- Choice of single- or double-acting cylinder. Hydraulic pump options include: 2-speed hand pump with large 2-gallon reservoir, PE172 electric/hydraulic pump or "PQ" series "Quiet" electric/hydraulic pump with low noise level.



Hydraulic gauge and hydraulic fittings are included with presses.



No. SF150 – Straightening fixtures for use with 100-ton shop press and 100-, 150-, and 200-ton Roll-Bed® presses (2 ea.). Wt., 196 lbs. **Not part of press, order separately.**



PUMP ELECTRICAL SPECIFICATIONS

PE17 Series – 1/2 hp, 115 volt, 60 cycle, single phase. Also available in 230 volt, 50 cycle, add suffix "-220" to order no.

PQ60 Series – 2 hp, 230 volt, 60 cycle, single phase. Available in 115 volt, 60 cycle and 230 volt, 50 cycle. To order 230 volt, 50 cycle, add suffix "-220" to order no. For 115 volt consult factory.

PQ120 Series – 3 hp, 460 volt, 60 cycle, three phase. Available in 220/380 volt, 50 cycle. To order 380 volt, 50 cycle, add suffix "-380" to order no.

DIMENSIONS

A	B	C	D*	E	F	G	H	J	L	M	Floor Space
(in.)	(in.)	(in.)	(in.)	(in.)	(in.)	(in.)	(in.)	(in.)	(in.)	(in.)	(in.)
77 ¹ / ₄	64	36	7 - 43	2 - 42	8	50	8	10	3 ³ / ₈	15	36 x 78 ¹ / ₄

*Lateral head movement

ORDERING INFORMATION

Cap. (tons)†	Type of Cyl. Used	Stroke	Cylinder Model	Order No.	Speed (in./min.)††	Type Pump	Valve Type	Pump‡ Model	Prod. Wt. (lbs.)	
					Advance in./stroke	Pressing in./stroke				
100	Single-Acting	10 ³ / ₄ "	C10010C	SPM10010	.356	.01	Hand	3-way	P460	1,698
100	Single-Acting	10 ³ / ₄ "	C10010C	SPE10010	35	2.9	Elec.	3-way	PQ603	1,795
100	Single-Acting	10 ³ / ₄ "	C10010C	SPE10010R	11.5	.8	Elec.	2-way	PE172	1,690
100	Double-Acting	13 ³ / ₈ "	RD10013	SPE10013DS	35	5.8	Elec.	4-way*	PQ1204S	1,886

† Frame is shipped assembled. *Solenoid valve with 24 volt remote control hand switch.
 †† Typical performance based on 100 psi and 10,000 psi pump specifications. Actual speeds may vary under operating conditions.
 ‡ Pump standard with press. Other Power Team pumps can be substituted.
 dBA at idle and 10,000 psi: PE172—67/81; PQ60—74/76; PQ120—73/78. Measured at 3 foot distance, all sides.