

SHOP PRESS

H Frame

10 Tons Bench/Floor Press

- Ideal for small pressing jobs; repairing small motors, armatures, removing and installing gears, bearings, other press-fit parts.
- Bench press has 15³/₈" x 18" work area; floor press bed height is adjustable from 5" to 41" with horizontal "daylight" of 21".
- Choices of power sources: single-speed hand pump, electric/hydraulic or air/hydraulic.
- Hydraulic gauges, hoses and fittings included.

PUMP ELECTRICAL SPECIFICATIONS

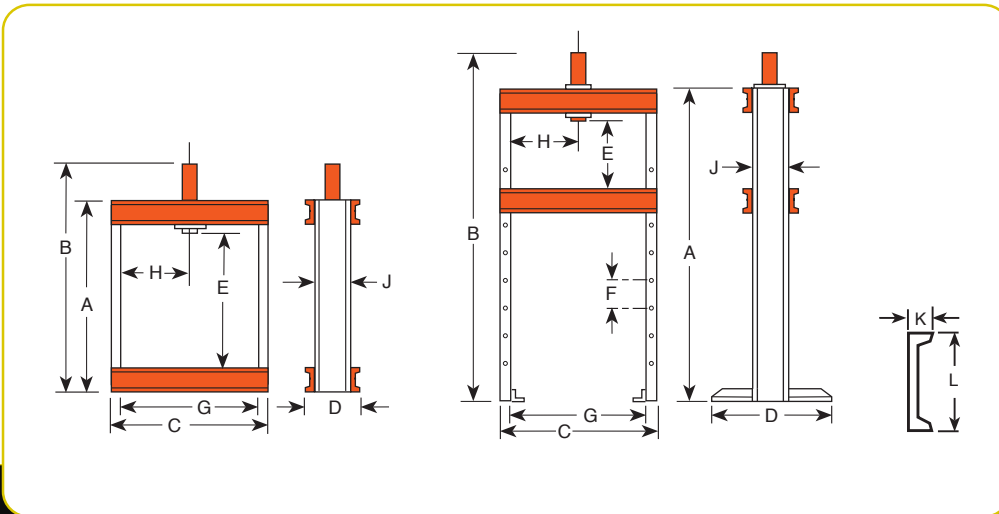
PE10 Series – 1/4 hp, 115 volt, 60 cycle, single phase. Also available in 230 volt, 50 cycle, add suffix "-220" to order number.



SP1010A



SPM1010



DIMENSIONS

Frame	A (in)	B (in.)	C (in.)	D (in.)	E (in.)	F (in.)	G (in.)	H (in.)	J (in.)	K (in.)	L (in.)	Bench Space (in.)	Floor Space (in.)
Bench	24 ¹ / ₂	33 ¹ / ₈	25 ¹ / ₄	7 ³ / ₁₆	15 ³ / ₈	—	22	11	4	1 ⁹ / ₁₆	4	7 ³ / ₁₆ X 25 ¹ / ₄	—
Floor	59	67 ⁵ / ₈	25 ¹ / ₄	28	5-41	6	22	2 ¹ / ₂ -18 ¹ / ₂ *	4	1 ⁹ / ₁₆	4	—	28 X 28 ¹ / ₄

*Lateral head movement

ORDERING INFORMATION

Frame	Cap. (tons)	Type of Cyl. Used	Stroke	Cylinder Model	Order No.	Speed (in./min.) ^{†††}	Type Pump	Pump Model [†]	Prod. Wt. (lbs.)
						Advance Pressing			
222481 Bench	10	Single-Acting	10 ¹ / ₈ "	C1010C	SPM1010	.06 in./stroke	Hand	P55	91
222480 Floor	10	Single-Acting	10 ¹ / ₈ "	C1010C	SPH1010	.06 in./stroke	Hand	P55	171
222480 Floor	10	Single-Acting	10 ¹ / ₈ "	C1010C	SPE1010	0.2 2.2	Elec. ††	PE102	175
222480 Floor	10	Single-Acting	10 ¹ / ₈ "	C1010C	SP1010A	0.3 3.7	Air	PA9H	162
222480 Floor	10	Double-Acting	10"	RD1010	SPE1010D	0.2 2.2	Elec. ††	PE104	192

[†] Optional air/hydraulic pumps available on request.

^{††} "Advance" position holds pressure with motor shut off. "Return" position advances cylinder with motor running and returns cylinder with motor shut off.

^{†††} Typical performance based on 100 psi and 10,000 psi pump specifications. Actual speeds may vary with operating conditions.