

PULLERS

POWER TEAM OFFERS THE WORLD'S MOST COMPLETE LINE OF PULLING EQUIPMENT, ENABLING USERS TO REMOVE AND INSTALL PARTS WITH SPEED AND SAFETY, FOR EFFECTIVE REPAIR JOBS.

Range includes:

- Mechanical Pullers
- Hydraulic Pullers
- Puller Sets
- Bi-Directional™ Pullers
- High Tonnage Pullers
- Accessories & Adapters





	Section / Series	Page Description	Page(s)
	Introduction	Puller Basics: Basic Puller Scenarios, Choosing the Right Pullers	225-228
	1020-1027, 1035-1050	Mechanical 2 & 3-Jaw Pullers	229-230
	927-939	Mechanical Bi-Directional™ Pullers	231-232
	1150-1154, 1165-1166, 1121-1130, 679-680	Pulling Attachments	233-234
	981, SS2, 1178	Blind Hole Puller Set, Slide Hammer Puller Set & Sliding Hammer Only	235
	7136, 1173-1174, 1155-1158	Bearing Cup Remover, Pilot Bearing Pullers, Basic Slide Hammer Units, Reversible-Jaw Slide Hammer Pullers, Slide Hammer Pullers with Cup Pulling Attachments	236
	1180-1182 IPS10B, IPS10HB	Puller Sets	237-238
		Puller Adapters	239-240
	IPS10M, IPS17M	Manual Puller Sets	241
	PB	Protective Blankets	242
	MB	Metal Boxes	242
	PT, PTPH	Posi-Lock® Mechanical & Hydraulic Pullers & Sets	243-246
	PH63C, PH83C, PH113C, PH303C	Hydra Lock-Jaw™ 2 & 3-Jaw Pullers	247
	K82-K83 HST11, 1188	Lock-Jaw™ Puller Accessories Kits Hydraulic Straightening Tool, Long Jaw Set	248
	PH	Hydraulic Pullers	249-250
	PPH	Bi-Directional™ Hydraulic Pullers	251-252
	IPS	Hydraulic Puller Sets	253-257
	PHP	Bearing Pusher	258
	PH	Enforcer 55 & Enforcer 100	259-260
	PR	Roller Bearing Puller / Installer	261-262
	7180, 27793-27797	Bearing, Bushing, Seal Drivers	263



SELECTING THE RIGHT PULLER:

Step 1: Determine if you are pulling a shaft or hole out of something?

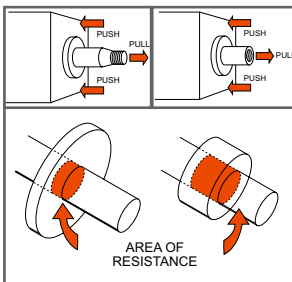
Step 2: Is your application requiring pulling and pushing?

Step 3: What is the reach, spread, and force required to perform the application?

PULLER SIZING CONSIDERATIONS:

1. Determine the type of puller or puller combination needed?
2. Which puller type is best suited for gripping the part?
3. Is a combination of puller types required?
4. Determine the reach needed for your particular pulling problem. The puller you select must have a reach equal, or greater than, the corresponding sizes of the part to be pulled.
5. Determine the spread needed. The spread is determined by the width of the part being pulled. The pullers spread should be greater than the width of the part to be pulled
6. Estimate the force needed to solve your pulling problem. A puller with the proper reach and spread will usually have enough capacity to remove the corresponding part. (Note: When in doubt, always use a puller with a larger capacity than what may be needed. Rusted parts, or parts with a large area of resistance, may need more pulling force).

PULLER SELECTION OPTIONS:



PULLING A PRESS-FITTED SHAFT FROM A HOUSING

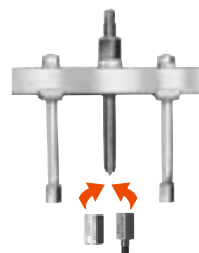
A shaft with a threaded end can be removed without damage by using one of our slide hammer, manual or hydraulic Bi-Directional™ Puller, in conjunction with the proper threaded adapter. Removal is easy! If the shaft to be removed has external threads, simply choose one of our female threaded adapters of proper size/thread. If the shaft has internal threads, simply choose the correct size male threaded adapter.

Note: Manual pullers require that the shaft being pulled is no more than twice the diameter of the pullers forcing screw. To determine the recommended tonnage for hydraulic pullers, multiply the diameter of the shaft to be pulled by ten. Example: For a 25 mm shaft, we recommend 10 tons of pulling force.

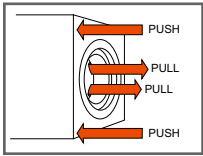
SUGGESTED TOOLS:



Slide hammer puller matched with a set of threaded adapters is a perfect tool for light duty pulling needs.



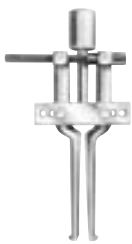
Bi-Directional™ Puller matched with a set of threaded adapters make for an extra versatile pulling tool.



PULLING INTERNAL BEARING RACES, RETAINER, SEALS, ETC.

By extending the narrow jaws of an internal pulling attachment through the center of the part to be pulled, a straight pull is insured, and damage to the housing is avoided. While parts within a "blind hole" in a housing do present a problem, Power Team has the internal pulling attachment or a combination of an internal pulling attachment and puller to handle the situation.

SUGGESTED TOOLS:



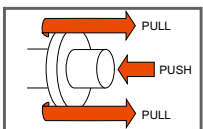
Internal pulling attachments have narrow jaws which extend through the center of the part to be pulled. They provide a straight pull and avoid damaging housings. Internal attachments feature adjustable jaws to fit various diameter parts.



Slide hammer with internal attachment is ideal for removing parts from blind holes, especially where there is no housing to brace puller legs against.



Bi-Directional™ Puller with internal attachment is available in both manual and hydraulic versions.



PULLING A GEAR, BEARING, WHEEL, PULLEY, ETC., FROM A SHAFT

In order to perform a proper pull, be certain that you firmly grip the gear, bearing, wheel, pulley, etc., and apply force to the shaft. Use a 3-jaw puller, instead of a 2-jaw, whenever possible for better gripping power and a more uniform displacement of pulling force.

SUGGESTED TOOLS:



Jaw-type pullers: Either manual or hydraulic. For extra force and convenience, use a hydraulic puller. Both are available in 2 or 3-jaw configurations and are used to grip the outer circumference of a part or can be used with a pulling attachment, such as a bearing / pulley attachment.



Bi-Directional™ Puller: Can thread directly into a threaded part for easy and secure removal. Bi-Directional™ Pullers can be used in conjunction with bearing/pulley attachments which grip the part from behind. A wide assortment of male and female threaded adapters are available as well as metric adapters.



Slide Hammers: Best suited for light-duty tasks. Slide hammers can be used for multiple pulling problems when combined pulling attachments.



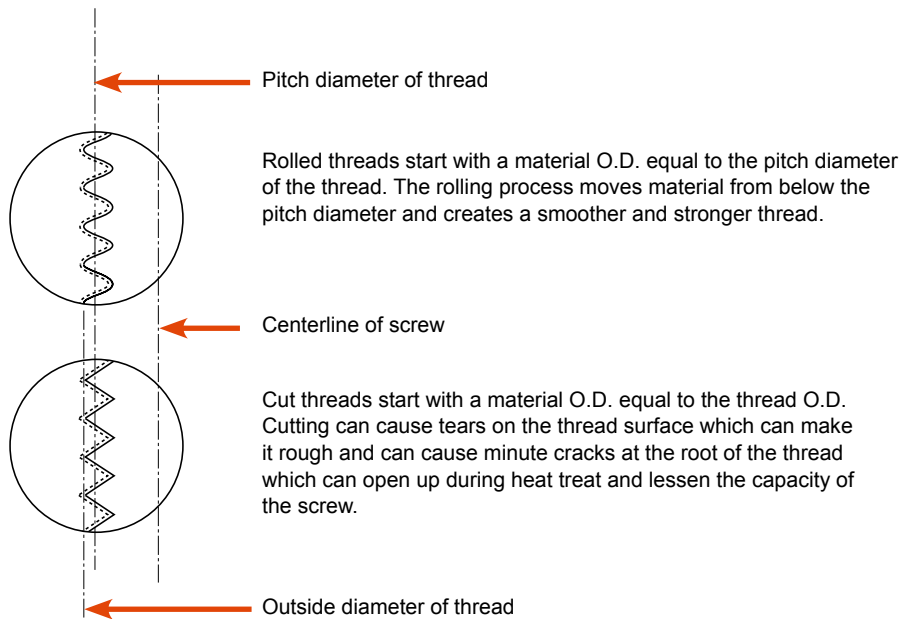
Bearing/pulley Attachments: Provide a "knife-like" edge to get behind parts for added versatility and secure removal of parts. Great for parts that don't offer adequate grip with jaw-type pullers.



Adapters: Whether you need an adapter compatible with any number of threaded hole sizes, protecting the part to be pulled or for assisting the installation of a component; Power Team offers a variety of adapters to assist in the removal or installation of parts.



WHY OUR ROLLED PULLER THREADS ARE SUPERIOR:



► Puller with a bearing pulling attachment was used to take a bearing off a utilities well pump motor.



Features	Benefits
<ul style="list-style-type: none"> Lock-Jaw™ feature on jaw-type pullers. 	<ul style="list-style-type: none"> The harder the pulling force, the tighter the jaws grip.
<ul style="list-style-type: none"> 2-way, 3-way and 2/3-way combination pullers: 1 to 37 ton mechanical pullers 54 mm to 702 mm reach 83 mm to 1118 mm of spread 5 to 50 ton hydraulic pullers 	<ul style="list-style-type: none"> Select a specific puller for a specific application, or select one or more pullers for general applications.
<ul style="list-style-type: none"> Forged alloy steel jaws. 	<ul style="list-style-type: none"> Strongest possible part. The grain of the material follows the contour of the part.
<ul style="list-style-type: none"> Machined puller jaw toes. 	<ul style="list-style-type: none"> Larger and stronger pulling toe than most competitors!
<ul style="list-style-type: none"> Alloy steel heads (forged or flame cut). 	<ul style="list-style-type: none"> Heat treated and designed for maximum strength.
<ul style="list-style-type: none"> Rolled "V" threads. 	<ul style="list-style-type: none"> Stronger and smoother than cut threads.
<ul style="list-style-type: none"> Special coating on threads. 	<ul style="list-style-type: none"> Resists corrosion, traps lubrication better than black oxide.
<ul style="list-style-type: none"> Heat treated alloy steel cross bolts. 	<ul style="list-style-type: none"> Designed for maximum shear strength.

▲ CAUTION: The puller application photos shown in this catalog are shown without protective blankets for clarity of photos. Power Team strongly recommends you always make your pull with a protective device in place.

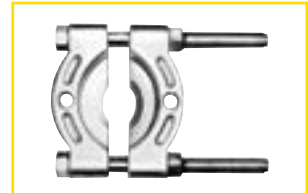
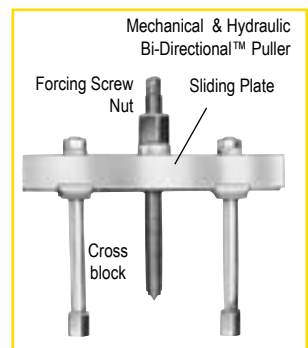


Operator safety comes first!

High levels of force are being exerted with your pulling system. You must respect this force, and observe safety precautions at all times.

A few easy tips to remember:

1. **Wear safety glasses at all times!** Protect your eyes from possible flying parts.
2. **Keep your pulling tools in shape!** Clean and lubricate the pullers forcing screw frequently, from threads to tip, to assure long service life and proper operation.
3. **Cover work with a protective blanket!** With high forces being exerted on the part being pulled, breakage may sometimes result. By covering the work with a protective blanket, reduce the danger of flying parts.
4. **Apply force gradually!** The component should give a little at a time. Do not try speed removal by using an impact wrench on the puller screw.
5. **Use the right size puller!** If you have applied maximum force and the part has not moved, go to a larger capacity puller. Resist sledging.
6. **Align puller legs and jaws!** Be sure the setup is rigid and that the puller is square with the work.
7. **Mount puller so grip is tight!** Tighten the adjusting strap-bolts when using a jaw type puller. Always use a 3-jaw puller whenever possible. A 3-jaw puller gives a more secure grip, and pulling power. Apply force gradually. Never use an extension on a wrench. Never use an impact wrench. Never strike the end of the forcing screw.
8. **Do not couple puller legs!** The tonnage capacity of a Bi-Directional™ Puller is reduced when longer than standard legs are used, or when legs are in compression. The chance of breaking, bending or misaligning legs increases. Keep reach to a minimum. Use shortest legs possible to reach the workpiece. Thread legs into workpiece, pulling attachment or adapters evenly. Uneven legs will cause greater pull or push on one side, creating a bending action which could cause damage to workpiece or cause a leg to break. The sliding plates must always be on the opposite side of the cross block from the forcing screw nut or hydraulic cylinder.



Bearing pulling attachments:

These attachments may not withstand the full tonnage of the pullers with which they are used. The shape and condition of the part being pulled affects the tonnage at which the puller blocks and/or studs may bend or break. Always select the largest attachment which will fit the part to be pulled.



CAUTION

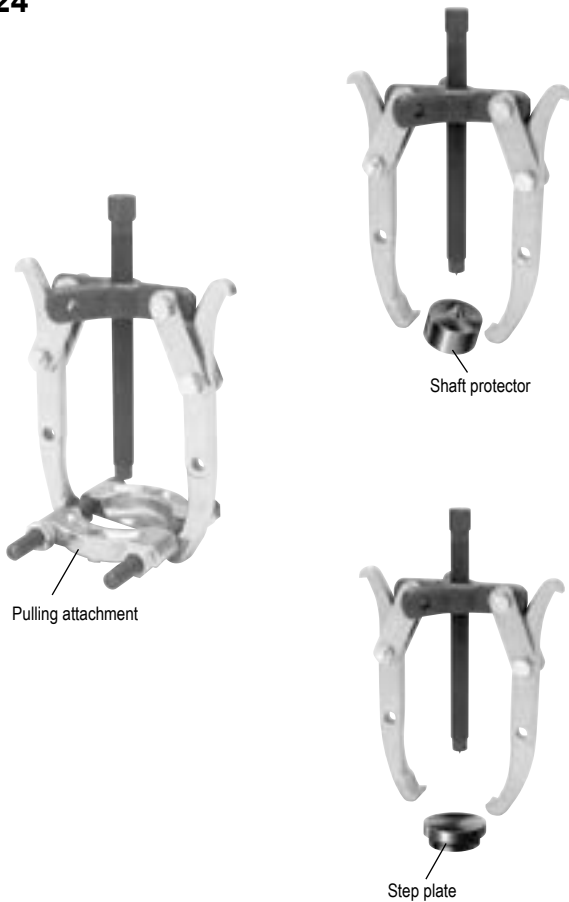
It is impossible to predict the exact force required for every pulling job. Setup requirements and the size, shape and condition of the parts being pulled vary a great deal. In addition, the Power Team pulling system is so versatile, it is possible that components in a pulling setup may have different tonnage ratings. The lowest "capacity" component, then,

determines the capacity of the setup. For example: When an accessory with a 1 ton capacity is used with a 10 ton capacity puller, the setup can be used only at a force of one ton.

These tools should be used only by trained personnel familiar with them.

Always wear eye protection during a job since work parts, or the pulling tool itself, may break and parts may fly. It is recommended to cover the work with a Power Team protective blanket or use a shield while force is being applied. If you are at all unsure which tool or attachment to select, contact the Power Team factory.

Model Shown:
1024

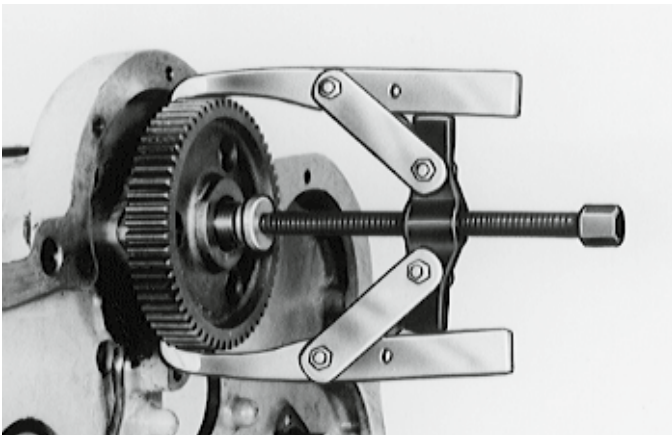


Features

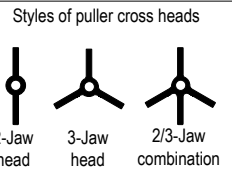
VERSATILE DESIGN OFFER A TIGHT GRIP FOR YOUR PULLING APPLICATIONS.

- Lock-Jaw™ feature on all pullers. The harder the pull, the tighter the grip for removing gears, bearings and countless other press fitted parts.
- 2-way, 3-way and 2/3-way combination pullers make it easy to select a specific puller for your application.
- Forged from high quality steel, heat treated and subjected to rigorous tests which exceed rated puller capacity.
- Forcing screw threads are rolled, not cut, creating a smoother and stronger thread.
- Heat treated alloy steel cross bolts for maximum shear strength.
- Machined puller jaw toes produce larger and stronger pulling toes.
- Meets Fed. Spec.: GGG-P-00781-D

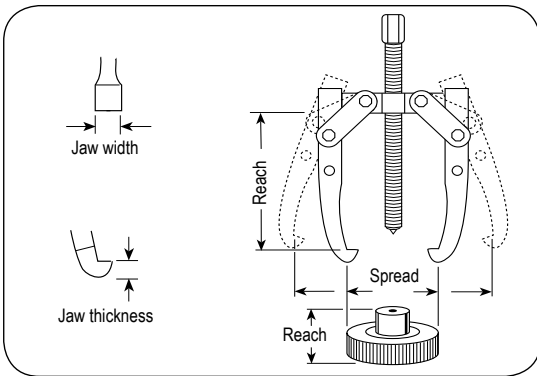
Two-jaw head puller example



Choosing the right size puller



Compare the "reach" and "spread" of the pulling job with that of the pullers listed. The puller selected must have dimensions greater than those of the job.

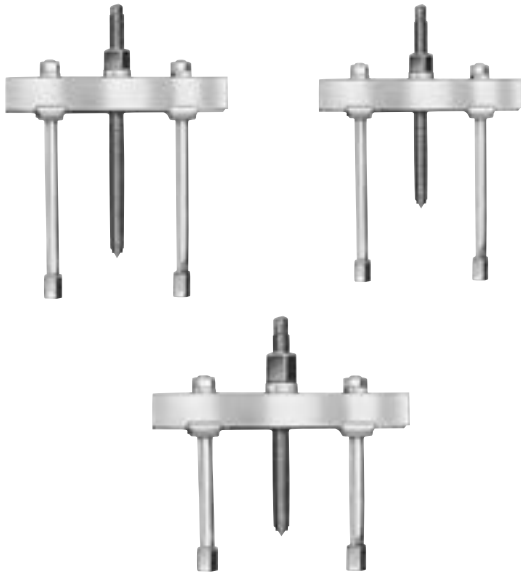


► Ordering Information

Order No.	Cap. (tons)	Jaw Type	Max.		Jaw		Screw Size (in.)	Weight (kg)
			Reach (mm)	Spread (mm)	Thickness (mm)	Width (mm)		
1020	1	2-Jaw	54,0	82,6	3,6	6,4	5/16 - 24 x 98,4 mm	0,14
1021		3-Jaw	54,0	82,6				
1022	2	2-Jaw *	82,6	101,6	Upper 4,8 Lower 3,2	Upper 6,4 Lower 12,7	3/8 - 24 x 124 mm	0,40
1023		2/3-Jaw *	85,7	120,7				
1024	5	2/3-Jaw *	82,6	152,4	Upper 23,8 Lower 6,4	Upper 9,5 Lower 19,1	9/16 - 20 x 178 mm	0,43
1026		2/3-Jaw *	82,6	177,8				
1024	5	Long 2-Jaw *	139,7	152,4	Upper 23,8 Lower 6,4	Upper 9,5 Lower 19,1	9/16 - 20 x 178 mm	0,19
1027		Long 2/3-Jaw *	139,7	177,8				1,65
1035	7	2-Jaw *	127,0	228,6	Upper 7,9 Lower 8,7	Upper 25,4 Lower 25,4	11/16 - 18 x 229 mm	2,04
1037		2/3-Jaw *	127,0	266,7				2,78
1036	7	Long 2-Jaw	222,3	241,3	8,7	25,4	11/16 - 18 x 229 mm	2,44
1038		Long 2/3-Jaw	222,3	279,4				3,69
1039/1040	13	2-Jaw	279,4	304,8	14,3	25,4	13/16 - 16 x 305 mm	4,90
1040		Long 2-Jaw	387,4	393,7				5,90
1041		2/3-Jaw	279,4	304,8				7,37
1042		Long 2/3-Jaw	387,4	431,8				8,50
1043/1044	17.5	Long 2-Jaw	368,3	355,6	20,6	32,5	1 - 14 x 343 mm	10,43
1044		Long 2-Jaw	476,3	406,4				11,79
1045		3-Jaw	368,3	355,6				14,97
1046		Long 3-Jaw	476,3	406,4				16,78
1048	25	Long 2-Jaw	565,2	508,0	27,0	38,1	1 1/4 - 12 x 422 mm	19,39
1050		Long 3-Jaw	565,2	508,0				27,22

* Reversible Jaws

Model Shown:
927, 938, 939



Features

VERSATILE DESIGN OFFERS A TIGHT GRIP FOR YOUR PULLING APPLICATIONS.

- Can apply a pushing or pulling force, depending on how the puller is set up.
- Optional leg kits adapt your Bi-Directional™ Puller to extra long or extra short reach.
- A wide variety of threaded adapters, bearing pulling attachments and internal pulling attachments can be used in combination with our Bi-Directional™ Puller.
- Meets Fed. Spec.: GGG-P-00781-D



Selection and Capacity Rating

Each Bi-Directional™ Puller specified tonnage "capacity" is determined using its standard legs in tension. Using longer legs, or a setup in which the legs are in compression, will reduce the "capacity." Always select the largest "capacity" puller and the shortest legs that will fit the job.



Puller Adapters



Male/Female



Shaft Protector



Female

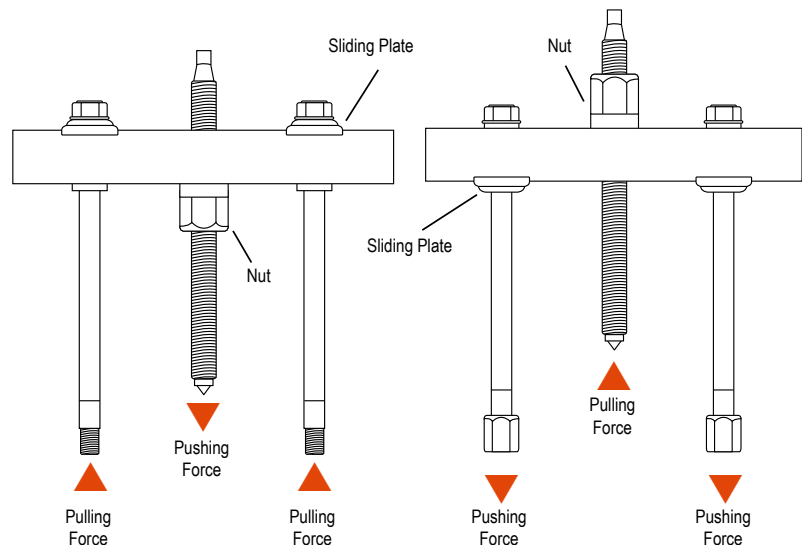


Step Plate

For more information, see page 240.

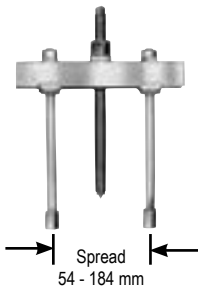
ASSEMBLING THE TOOL TO APPLY PUSHING OR PULLING FORCE:

1. Determine if you want the tool's forcing screw to push or pull.
2. To exert pushing force, the forcing nut is installed beneath the cross block, as shown on left.
3. To cause the forcing screw to pull, the forcing nut is placed on top of the cross block.
4. The sliding plates must always be placed on the opposite side of the cross block from the forcing nut.



► Ordering Information

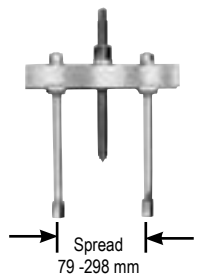
10 TON MECHANICAL BI-DIRECTIONAL™



10 Ton Capacity can be used with 1123 bearing pulling attachment or 679 pulley pulling attachment. May also be used with 1150, 1151, 1152, or 1153 internal pulling attachments.

Order No.	Max.		Screw Size (in.)	Weight (kg)	Notes
	Reach (mm)	Spread (mm)			
927	210	54 - 184	3/4" - 16 x 305 mm	3,2	1/2" of forcing screw tip end is threaded 5/8"-18. 1100 legs and 24827 leg ends included.

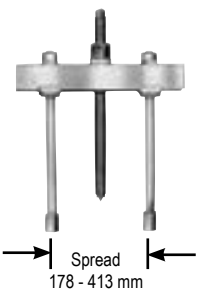
17.5 TON MECHANICAL BI-DIRECTIONAL™



17.5 Ton Capacity can be used with 1124 and 1130 bearing pulling attachments or 679 and 680 pulley pulling attachments. May also be used with 1150, 1151, 1153, 1165, or 1166 internal pulling attachments.

Order No.	Max.		Screw Size (in.)	Weight (kg)	Notes
	Reach (mm)	Spread (mm)			
938	282	79 - 298	1"-14 x 336 mm	9,4	Leg ends threaded 5/8"-18. 1106 legs and 24827 leg ends included.

30 TON MECHANICAL BI-DIRECTIONAL™



30 Ton Capacity can be used with 1126 and 1127 bearing pulling attachments or 680 pulley pulling attachment (two 8012 adapters are required to connect 680 to puller). Can be used with 1165 internal pulling attachment.

Order No.	Max.		Screw Size (in.)	Weight (kg)	Notes
	Reach (mm)	Spread (mm)			
939	267	178 - 413	1 1/2" - 12 x 438 mm	20,0	Leg ends threaded 1"-14. 1109 legs and 28390 leg ends included.

ACCESSORIES - PULLER LEGS

Order No.	Leg Length (mm)	Weight (kg)	Order No.	Leg Length (mm)	Weight (kg)
927	1103 121 mm Legs	0,45	938	1104 419 mm Legs	3
	1100 171 mm Legs	0,45		1105 572 mm Legs	4,1
	1102 298 mm Legs	1		1108 762 mm Legs	5,2
	1101 400 mm Legs	1,5		939	1109 203 mm Legs
938	1107 114 mm Legs	1,1	1110 457 mm Legs		6,8
	1106 241 mm Legs	2	1111 711 mm Legs		10

Pullers

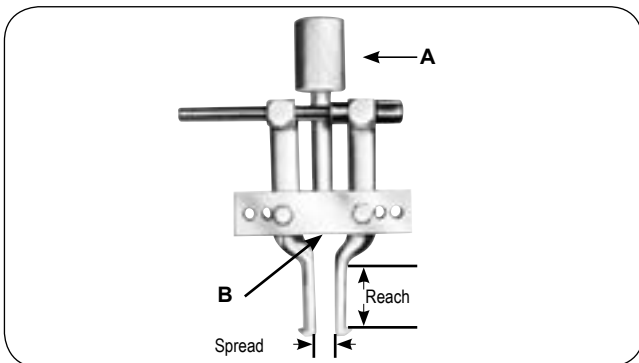
Model Shown:
1166



Features

RECOMMENDED FOR THE REMOVAL OF BEARINGS, BEARING CUPS, BUSHINGS AND OIL SEALS.

- Handles internal pulling jobs, such as, bearing/bearing cup removal, bushing removal, oil seals, etc.
- Remove hard to get at parts easily and without damage!
- Use with corresponding Power Team Slide Hammer or Bi-Directional™ Puller
- Adjustable jaws fit various diameters
- Meets Fed. Spec.: GGG-P-00781-D



CAUTION

These attachments may not withstand the full tonnage of the pullers they are used with. The shape and condition of the part being pulled affects the tonnage at which the jaws may slip off. Always select the largest attachment which will fit behind the part being pulled.

Ordering Information

Order No.	Jaw		A (in.)	B (in.)	Weight (kg)	Application
	Spread (mm)	Reach (mm)				
1153	38,1 - 127	54	1 - 14	5/8 - 18	1,9	Use with 927 and 938 Bi-Directional™ Puller,
1150	38,1 - 152	102	1 - 14	5/8 - 18	2	
1151	38,1 - 178	133	1 - 14	5/8 - 18	2	
1152	38,1 - 152	102	—	5/8 - 18	1,6	Use with 927 and 938 Bi-Directional™, 1155 and 1156 slide hammer pullers, or 24832 and 24833 puller screw.
1154	38,1 - 152	102	1 - 8	5/8 - 18	2	Use with PPH17.
1165	76,7 - 229	149	1 1/2 - 12	1 - 14	6,1	Use with 939 Bi-Directional™ Puller.
1166	76,2 - 229	149	1 1/4 - 7	1 - 14	6,1	Use with PPH30.

Order No.	Length (in.)	Puller Screws Threads (in. - thd.)	Weight (kg)	Application
24832	349 mm long	5/8 - 18	0,5	Use with 1150, 1151, 1152, and 1153. Acts as a regular forcing screw when threaded directly into block of pulling attachment.
24833	140 mm long	5/8 - 18	0,2	Use with 1150, 1152, and 1153. Acts as a regular forcing screw when threaded directly into block of pulling attachment.

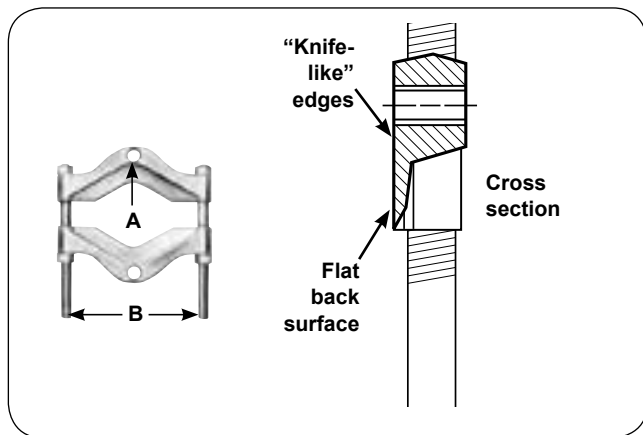
Model Shown:
1122



Features

USED WHERE SPACE DOES NOT PERMIT, HOOKING PULLER JAWS DIRECTLY ON PART TO BE PULLED.

- “Knife-like” edges fit behind bearings and other hard-to-grip parts for easy removal, even where clearance is limited.
- Usable with both Lock-Jaw™ pullers and Bi-Directional™.
- All puller blocks are made from forged alloy steel
- Meets Fed. Spec.: GGG-P-00781-D



PULLING ATTACHMENT ACCESSORY		
Order No.	Description	
1128	“Knife-like” edges of attachment fit behind bearings or other parts for easy removal with “Enforcer 55”, even if space does not permit hooking puller jaws directly to part being pulled. Spread: 127 tot 327 mm. Wt., 45.5 kg.	

Ordering Information

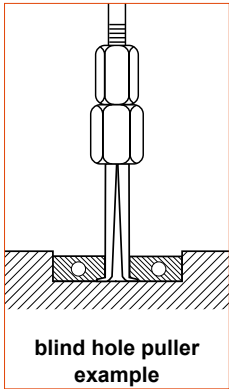
Order No.	Spread		A (in.)	B (mm)	Weight (kg)	Application
	Max. (mm)	Min. (mm)				
1121	22,2	6,4	5/16 - 18	43	0,3	1020, 1022, and 1023.
1122	51,0	3,2	3/8 - 16	62	0,6	1024, 1025, 1026, 1027, 7392 and 7393.
1123	117,0	9,5	5/8 - 18	111	2,3	1035, 1036, 1037, 1038, and 927.
1124	5,75	12,7	5/8 - 18	152	5,4	1035, 1040, 1041, 1042, PH172, PPH17, and 938.
1126	203,0	16,0	1 - 14	181	9,0	1043, and 939.
1127	340,0	19,0	1 - 14	260	18,8	939, PH302, and PPH30.
1128	327,0	127,0	1 3/4 - 12	330	45,4	PH302*, PH502*, PH553C, and PPH50. (When using 1128 with PPH50, two 8024 adapter are required to connect PPH50 to the puller tees).
1130	219,0	12,7	5/8 - 18	152	5,4	1035, 1040, 1041, 1042, PH172, PPH17, and 938.

V-BELT PULLEY PULLING ATTACHMENTS

Order No.	Spread		A (in.)	B (mm)	Weight (kg)	Application
	Max. (mm)	Min. (mm)				
679	149,0	45,0	5/8 - 18	152	2,0	1035, 1036, 1037, 1038, and 927.
680	254,0	42,3	5/8 - 18	257	10,0	1039, 1040, 1041, 1042, PH172, PPH30* and 938. (When using 680 with PPH30, two 8012 adapters are required).

* Indicates discontinued puller model.

BLIND HOLE PULLER SET



Removal of bearings, bushings, sleeves and other friction-fitted parts from blind holes can now be accomplished with ease. Set provides selection of expanding collets 8 to 44,5 mm I.D. Collet is placed through bore of part to be removed, then expanded with actuator pin so that lips of collet secure a positive grip for pulling. Pulling force is exerted by means of a forcing screw and bridge assembly or with a slide hammer. Equipped with a plastic case.

Order No.	Description
6981	Blind-hole puller set with slide hammer, forcing screw, bridge, actuator pins, collets, and storage box. Wt., 9,5 kg.

CONTENTS OF 6981 SET

Order No.	Description	Order No.	Description
24835	Forcing Screw	2009584	Slide Hammer Rod
24836	Forcing Screw Nut	41331	Bridge
22185	Hammer 1,1 kg.	—	Plastic Case - 508 × 381 × 140 mm
2009583	Pin Adapter and Thumb Screw		

Order No.	Description	Order No.	Description	Reach
2009585	Pin 3,5 mm	2009586	Collet 7,6 - 8,9 mm	38,1 mm
2009587	Pin 5,1 mm	2009588	Collet 8,9 - 11,1 mm	38,1 mm
2009589	Pin 7,1 mm	2009590	Collet 11,1 - 14,3 mm	44,5 mm
2009591	Pin 10,2 mm	2009592	Collet 14,3 - 22,0 mm	63,5 mm
2009593	Pin 12,7 mm	2009594	Collet 22,0 - 76,2 mm	76,2 mm

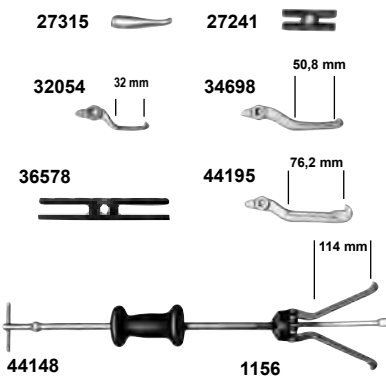
SLIDE HAMMER PULLER SET



This very handy set is ideal for close-quarters, inside pulling jobs. The slide hammer puller set is very practical for pulling motor, generator, and magneto bearings. It's good for removing small-bore bushings, bearings, and oil seals.

Order No.	Description	Order No.		Inch Range	
				Min. (mm)	Max. (mm)
SS2	Slide hammer puller set includes both 1172 and 1174. Wt., 2,6 kg.	1172		12,7	50,8
		1174		12,7	34,9

SLIDE HAMMER PULLER SET



This useful set contains a reversible-jaw slide hammer puller with a 1,1 kg. sliding hammer plus an assortment of special jaws (3 of each size) and adapters. In this set, you get all the versatility you demand of a slide hammer puller.

Order No.	Description
1178	Slide hammer puller set with 1,1 kg. sliding hammer. Wt., 6,3 kg.

Jaw Order No.	2-Jaw Spread				3-Jaw Spread			
	Inside		Outside		Inside		Outside	
	Min. (mm)	Max. (mm)	Min. (mm)	Max. (mm)	Min. (mm)	Max. (mm)	Min. (mm)	Max. (mm)
44195	38,1	114,3	19,1	127	38,1	120,7	25,4	114
32054	19,1	60,3	—	—	25,4	69,9	—	—
44148	69,9	139,7	19,1	191	82,6	158,8	25,4	159
34698	31,8	88,9	25,4	114	38,1	108	38,1	114

SLIDING HAMMERS ONLY



Order No.	Description
22185	1,1 kg. Sliding Hammer.
34331	2,3 kg. Sliding Hammer.

BEARING CUP REMOVER



The 7136 is perfect for pulling internal bearing cups, seals, bushings, etc. With a jaw spread of 23,8 to 82,6 mm, and reach to 88,9 mm. Use with any slide hammer having 5/8"-18 thread (1155, 1156 or 927 Bi-Directional™).

Order No.	Description
7136	Universal bearing cup remover. Wt., 0,7 kg.

PILOT BEARING PULLERS



1170

These very versatile pullers are built especially for inside pulling jobs, and particularly for removing flywheel pilot bearings on machines and construction vehicles. Also very practical for pulling motor, generator and magneto bearings.

Special slide hammer puller – Ideal for pulling jobs in very close quarters, as in removal of small-bore bushings, bearings, oil seals, etc. Internal pulling attachment has jaw spread of 12,7 to 35 mm. The handle end has a 1/2"–20 thread.

Order No.	Description	Order No.	Reach (mm)	I.D. Spread		Weight (kg)
				Min. (mm)	Max. (mm)	
1170	Slide hammer puller. Wt., 1,6 Kg.	1170	19,1	12,7	12,7	2,2
1173	Slide hammer puller. Wt., 1,6 Kg.	1171	25,4	22,2	54,0	2,2
1174	Puller head, less slide hammer. Wt., 0,4 Kg.	1172	44,5	12,7	50,8	2,2

BASIC SLIDE HAMMER UNITS



1155



1156

Compatible with internal pulling attachment and compatible with threaded adapters. 610 mm in length, 5/8"-18 threaded end.

Order No.	Description
1155	Basic slide hammer unit with 2,3 kg hammer. Wt., 3,3 kg.
1156	Basic slide hammer unit with 1,1 kg. hammer. Wt., 2,2 kg.

REVERSIBLE-JAW SLIDE HAMMER PULLERS



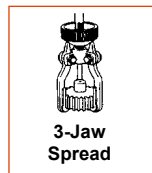
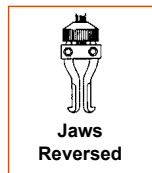
1176



1177

Ideal for pulling gears, bearings, outer races, grease retainers, oil seals, etc. Two or three jaws may be used and positioned for "inside" or "outside" pulling jobs. Both have 5/8"-18 threaded end so attachments and adapters may be used.

Jaw Order No.	2-Jaw Spread				3-Jaw Spread				Length (mm)	Prod. Wt. (kg)
	Inside		Outside		Inside		Outside			
	Min. (mm)	Max. (mm)	Min. (mm)	Max. (mm)	Min. (mm)	Max. (mm)	Min. (mm)	Max. (mm)		
1176	31,8	88,9	25,4	114,0	38,1	108,0	38,1	114,0	686,0	3,6
1177	31,8	88,9	25,4	114,0	38,1	108,0	38,1	114,0	686,0	4,8



SLIDE HAMMER PULLERS WITH CUP PULLING ATTACHMENTS

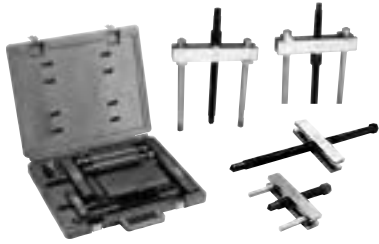


1158

These combine a basic slide hammer with 1152 internal pulling attachment for removing oil seals, outer races, and bearing cups from blind holes.

Order No.	Description	Reach (mm)	Spread		Length (mm)	Prod. Wt. (kg)
			Min. (mm)	Max. (mm)		
1157	Slide hammer puller consisting of 1156 slide hammer and 1152 internal pulling attachment.	102,0	38,1	152,0	117,0	4,5
1158	Slide hammer puller consisting of 1155 slide hammer and 1152 internal pulling attachment.	102,0	38,1	152,0	117,0	5,6

10 TON CAPACITY BI-DIRECTIONAL™ PULLER SET



Contains three popular Power Team bar-type pullers in one versatile set, packed in a handy plastic storage case. Tools included permit damage-free pulling of gears, bearings, harmonic balancers, and other parts having tapped holes. Ideal for servicing off-road construction equipment and machinery.

Order No.	Description
1180	10 ton Bi-Directional™ puller set in plastic storage case. Wt., 11,4 kg.

CONTENTS OF 1180 SET

Order No.	Description
927	10 ton Bi-Directional™ puller, 213 mm reach, 54 to 184 mm spread. Comes with 171 mm puller legs, other leg sizes are available separately.
522	Gear and pulley puller, spread range when used with 12,7 mm cap screws is 50,8 to 197 mm. (Cap screws not included.)
7393	Gear and pulley puller with standard 140 mm forcing screw, plus special 330 mm forcing screw. Includes two hex head cap screws, 3/8" - 16 x 3.00" long. Spread range: 38 mm to 108 mm.

MULTI-PURPOSE PULLER SET



This new assortment of pulling tools gives you a wide range of job versatility. You get a 2,2 kg. slide hammer puller, hub puller, two sizes of Power Team Lock-Jaw™ pullers, a bearing pulling attachment plus a cross-bar gear and pulley puller, all contained in a handy plastic storage case.

Order No.	Description
1181	Multi-purpose puller set. Wt., 11,4 kg.

CONTENTS OF 1181 SET

Order No.	Description
1177	Slide hammer puller with 2,2 kg. hammer, 2-way and 3-way heads. Reversible: either two or three jaws may be used to handle both "inside" and "outside" pulling jobs.
7208	Hub puller. Includes a spare locknut which permits use with 1177 slide hammer.
1023	2 ton combination 2- or 3-jaw Lock-Jaw™ puller. Has 86 mm max. reach, 121 mm max. spread
1027	5 ton combination 2- or 3-jaw Lock-Jaw™ puller. Has 140 mm max. reach, 178 mm max. spread.
7393	Bar-type gear and pulley puller with 140 mm long screw. Includes two hex head cap screws, 3/8"-16 x 76 mm long. Spread range: 38 to 108 mm.
1122	Bearing pulling attachment for use with 1027 and 7393 pullers. Has 50,8 mm max. spread, 3 mm min. spread.

LOCK-ON, JAW-TYPE PULLER SET



Components can be assembled to create several versatile puller versions. The puller head is turned to securely lock the jaws onto the part being removed. Both a 2-way and 3-way puller head are included, plus three long-reach and three short-reach puller jaws in a plastic storage box. Easily removes gears, bearings and other press-fitted parts.

Order No.	Description
1182	Jaw-type puller set. Wt., 3,1 kg.

Jaw Order No.	2-Jaw Spread *				3-Jaw Spread *			
	Inside		Outside		Inside		Outside	
	Min. (mm)	Max. (mm)	Min. (mm)	Max. (mm)	Min. (mm)	Max. (mm)	Min. (mm)	Max. (mm)
44195	38	114	19	127	38,1	121	25,4	114
44148	70	140	19	191	83	159	25,4	159

* Can be used for internal pulling tasks when used with a slide hammer.

10 TON CAPACITY STRONG BOX PULLER SET



Here's a set of pullers that gives you almost unheard of versatility. This rugged, lockable metal storage cabinet contains pullers, attachments and extra puller jaws good for a variety of applications. Cabinet may be mounted on a wall, stand, or workbench.

Order No.	Description
IPS10B	Cabinet (654 x 749 x 254 mm) with tool board, adapter board, and tool set. Wt., 44,5 kg.

CONTENTS OF IPS10B SET

Order No.	Description	Order No.	Description
927	10 Ton Push-Puller® with 172 mm legs	8013	Male-Female threaded adapters (2 ea.)
1027	2/3 Jaw Puller Manual 5 Ton	8015	
1037	2/3 Jaw Puller Manual 7 Ton	8019	
1101	15.75" Legs Push/Puller 10 Ton	8035	Female threaded adapters
1122	Bearing Pulling Attachment 17.5 Ton	8037	
1123	Bearing Pulling Attachment 17.5 Ton	8038	
1152	Internal Pulling Attachment 101,6 mm Reach	8039	
7393	Gear and Pulley Puller 139,7 mm	8040	
8005	Male-Female threaded adapters	8050-8053	Shaft protectors
8006		8057-8062	Step plate adapters
8007		43892	Long jaws for 1037 (3)
8010		212867	Cabinet, tool board and adapter board

10 TON CAPACITY HYDRAULIC/MANUAL PULLER SET IN STRONG BOX



This lockable metal Strong Box contains both hydraulic and manual pullers, plus attachments. The rugged storage cabinet keeps the tools organized and secure from unauthorized borrowers!

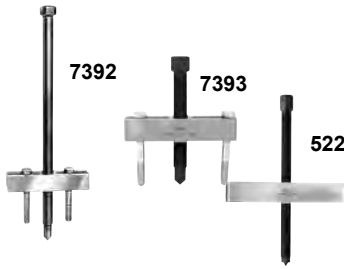
- Have the puller you need on hand, when you need it.
- Almost unheard of versatility
- Rugged, lockable storage cabinet.
- Wall, stand or workbench mountable.

Order No.	Description
IPS10HB	Cabinet (654 x 749 x 254 mm) with tool board, adapter board, and tool set. Wt., 44,5 kg.

CONTENTS OF IPS10HB SET

Order No.	Description	Order No.	Description
PH103C *	10 ton combination 2/3-jaw hydraulic puller	36578	Slotted cross head for slide hammer puller
1027	5 ton combination 2/3-jaw puller	27315	Seal hook for slide hammer puller
1042	13 ton combination 2/3-jaw puller	1152	Internal pulling attachment (38 to 152 mm spread)
1177	Slide hammer puller	24832	Forcing screw for 1152
44148	3-jaws for slide hammer puller (114 mm)	215315	Cabinet and tool board
44195	3-jaws for slide hammer puller (76 mm)		

GEAR AND PULLEY PULLERS



Ideal for pulling many small parts having tapped holes. The 7392 and 7393 may be used with the 1122 pulling attachment to remove bearings, etc. Pullers include two hex head cap screws, 3/8" - 16 NC x 76 mm long. Spread: 38 - 108 mm. Width of puller block is 124 mm. Cap screws are not included with the 522, but any cap screws up to 12,7 mm diameter may be used. The 522 spread, when used with 12,7 mm dia. cap screws, is 51 - 197 mm. Width of the 522 puller block is 209 mm.

Order No.	Description
7392	Puller with 5/8"-18 x 330 mm long screw. Wt., 0,9 kg.
7393	Puller with 5/8"-18 x 140 mm long screw. Wt., 0,7 kg.
522	Puller with 3/4"-16 x 295 mm long screw. Wt., 2 kg.

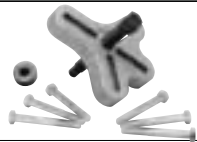
4-IN-1 PULLER SET



You can quickly assemble a 2 or 3-jaw puller with standard or long reach jaws.

Order No.	Description
PA7	Four-In-One puller set, 7 ton capacity. Standard jaw max. reach is 127 mm. Maximum spread is 267 mm. Long jaw maximum reach is 222 mm. Maximum spread is 267 mm. Wt., 4,9 kg.

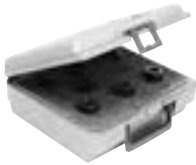
FLANGE TYPE PULLER



Slotted holes in puller body permit cap screws to be positioned to handle bolt-circle diameters from 38 - 117 mm.

Order No.	Description
518	Flange type puller, includes 3 cap screws, 3/8" - 24 NF x 76 mm long and 3 cap screws 3/8" - 16 NC x 76 mm long. Forcing screw is 5/8" - 18 x 127 mm long. Wt., 4,9 kg.

METRIC ADAPTERS



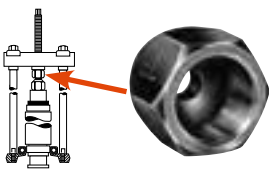
Add metric capability to the Bi-Directional™ Puller legs or forcing screws! Four separate metric kits available with a variety of sizes for the Bi-Directional™ legs or forcing screws! Each packaged in a convenient plastic organizer case.

Order No.	Description
8110	Male Metric. Wt., 1,4 kg.
8120	Male Metric. Wt., 1,4 kg.

CONTENTS OF 8110 SET			
Order No.	Female End (in.)	Male End (in.)	Length (mm)
8111	5/8" - 18	M6 x 1.00	57,2
8112	5/8" - 18	M8 x 1.00	57,2
8113	5/8" - 18	M8 x 1.25	57,2
8114	5/8" - 18	M10 x 1.25	57,2
8115	5/8" - 18	M10 x 1.50	57,2
8116	5/8" - 18	M12 x 1.25	57,2
8117	5/8" - 18	M12 x 1.75	57,2

CONTENTS OF 8120 SET			
Order No.	Female End (in.)	Male End (in.)	Length (mm)
8121	5/8" - 18	M14 x 1.50	57,2
8122	5/8" - 18	M14 x 2.00	57,2
8123	5/8" - 18	M16 x 1.50	70,0
8124	5/8" - 18	M16 x 2.00	70,0
8125	5/8" - 18	M20 x 1.50	2,75
8126	5/8" - 18	M20 x 2.50	2,75

FEMALE THREADED ADAPTERS



Use these adapters on the ends of Bi-Directional™ Puller forcing screws, legs, or slide hammers in the removal and installation of shafts, axles, and housings.

Order No.	Description
8044	Set No. 8044 - consists of a set of 6 adapters (8037-8042).

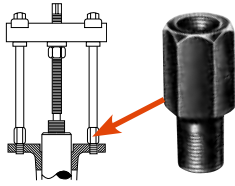
Order No.	Female End "A" (in.)	Female End "B" (in.)
8035 *	1/2" - 20	5/8" - 18
8036 *	1" - 14	1" x 14
8037	5/8" - 18	5/8" - 18
8038	5/8" - 18	3/4" - 16
8039	5/8" - 18	7/8" - 14

Order No.	Female End "A" (in.)	Female End "B" (in.)
8040	5/8" - 18	1" x 14
8041	5/8" - 18	1 1/8" - 12
8042	5/8" - 18	1 1/4" - 12
8043 *	5/8" - 18	1 1/2" - 12

Note: All adapters available separately.

* Not included in set No. 8044. Order separately.

MALE-FEMALE THREADED ADAPTERS

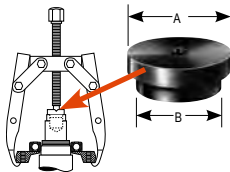


These adapters are used on ends of Bi-Directional™ Puller legs, with forcing screws or slide hammers to assist in pulling shafts, bearing caps, pinions, and many other parts.

Order No.	Female End (in.)	Male End (in.)	Length (mm)	Order No.	Female End (in.)	Male End (in.)	Length (mm)
8000	5/8" - 18	1/4" - 20	57,2	8015	5/8" - 18	3/4" - 10	57,2
8001	5/8" - 18	5/16" - 18	57,2	8016	1" - 14	3/4" - 10	63,5
8002	5/8" - 18	7/16" - 14	57,2	8017	5/8" - 18	7/8" - 14	57,2
8003	5/8" - 18	7/16" - 20	57,2	8018	5/8" - 18	7/8" - 9	57,2
8004	5/8" - 18	3/8" - 24	57,2	8019	5/8" - 18	1" - 14	57,2
8005	5/8" - 18	3/8" - 16	57,2	8020	1" - 8	5/8" - 18	76,2
8006	5/8" - 18	1/2" - 20	57,2	8021	1" - 8	1" - 4	76,2
8007	5/8" - 18	1/2" - 13	57,2	8022	5/8" - 18	1/8" pipe	57,2
8008	5/8" - 18	9/16" - 18	57,2	8023	1 1/4" - 12	1" - 14	114,3
8009	5/8" - 18	9/16" - 12	57,2	8024	1 1/4" - 12	1 3/4" - 12	114,3
8010	5/8" - 18	5/8" - 11	57,2	8025	1 1/4" - 7	5/8" - 18	101,6
8011	1" - 14	5/8" - 11	63,5	8027	1 1/4" - 7	1" - 14	101,6
8012	1" - 14	5/8" - 18	81,0	8028	1 5/8" - 5 1/2	1" - 8	101,6
8013	5/8" - 18	3/4" - 16	57,2	8029	1 5/8" - 5 1/2	1" - 14	101,6
8014	1" - 14	3/4" - 16	63,5				

NOTE: Nos. 8000 - 8029 - each sold individually.

STEP PLATE ADAPTER SETS

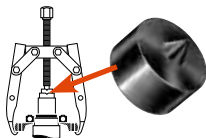


Power Team step plate adapters are necessary for pulling and installing bearings, gears, or other parts on hollow shafts or housings. Puller screw forces against step plate adapter, as shown at right. May be used with Power Team jaw-type pullers, Bi-Directional™ Pullers and shop presses.

Order No.	Description
8075	Set of 11 adapters (8057-8067).
8076	Set of 6 adapters (8068-8073).

CONTENTS OF 8075 SET					CONTENTS OF 8076 SET				
Order No.	Dia. "A" (mm)	Dia. "B" (mm)	Order No.	Dia. "A" (mm)	Dia. "B" (mm)	Order No.	Dia. "A" (mm)	Dia. "B" (mm)	
8057	25,4	19,1	8063	47,5	38,1	8068	66,5	53,8	
8058	28,4	22,1	8064	50,8	41,1	8069	69,9	57,2	
8059	31,8	25,4	8065	53,8	44,5	8070	72,9	60,3	
8060	34,8	28,4	8066	60,2	47,5	8071	76,2	63,5	
8061	41,1	31,8	8067	63,5	50,8	8072	82,6	69,9	
8062	44,5	34,8				8073	88,9	76,2	

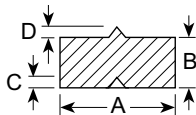
SHAFT PROTECTOR SET



Power Team shaft protectors are designed to protect shaft centers from distortion when extreme pressures are applied with jaw-type pullers or Bi-Directional™ Pullers. Shaft protectors are inserted between the end of the puller screw and the shaft.

Order No.	Description
8056	Set of 6 shaft protectors (8050 thru 8055).

CONTENTS OF 8056 SET					CONTENTS OF 8056 SET				
Order No.	Dia. "A" (mm)	Dia. "B" (mm)	"C" (60°) (mm)	"D" (60°) (mm)	Order No.	Dia. "A" (mm)	Dia. "B" (mm)	"C" (60°) (mm)	"D" (60°) (mm)
8050	38,1	19,1	9,4	11,1	8053	19,1	19,1	6,4	6,4
8051	31,8	19,1	9,4	9,4	8054	15,7	15,7	6,4	6,4
8052	25,4	19,1	9,4	7,9	8055	15,7	15,7	4,8	4,8



CAUTION: All the items shown may not withstand the full tonnage of the pullers they may be used with.

10 TON MANUAL PULLER SET



This puller set is just what you need for removing gears, bearings, etc. Includes pullers, attachments, and many accessories.

Order No.	Description
IPS10M	10 ton capacity. Wt., 24 kg.

CONTENTS OF IPS10M - PULLERS	
Order No.	Description
927	10 ton capacity Push-Puller® with 171 mm legs
1023	2 ton combination 2/3-jaw puller
1026	5 ton combination 2/3-jaw puller
1027	5 ton combination 2/3-jaw puller
1037	7 ton combination 2/3-jaw puller
1178	Slide hammer set

CONTENTS OF IPS10M - ACCESSORIES	
Order No.	Description
8075	Step plate adapter set
8044	Female threaded adapter set
8035	Female threaded adapter: 1/2 "-20 x 5/8"-18
1151	Bearing cup pulling attachment
1121	Bearing pulling attachment
1122	Bearing pulling attachment
1123	Bearing pulling attachment
1101	400 mm long puller legs for 927 (pair)

17.5 TON MANUAL PULLER SET



The pullers and accessories in this set can be used for hundreds of applications including quick and easy maintenance involving removal and replacement of press-fit parts.

Order No.	Description
IPS10M	17.5 ton capacity. Wt., 52,7 kg.

CONTENTS OF IPS17M - PULLERS	
Order No.	Description
938	17 1/2 ton capacity Push-Puller® with 241 mm legs
1027	5 ton combo 2/3-jaw puller, with long jaws
1037	7 ton combination 2/3-jaw puller
1041	13 ton combination 2/3 jaw puller
1045	17 1/2 ton 3-jaw puller

CONTENTS OF IPS17M - ACCESSORIES	
Order No.	Description
8075	Step plate adapter set
1105	572 mm legs for 938
1130	Bearing pulling attachment
1151	Bearing cup pulling attachment
8038	Female adapter: 5/8 "-18 F. x 3/4"-16 F. (2)

POWER TEAM PROTECTIVE BLANKET



Our blankets are designed to contain broken or flying parts from the most extreme forces, thus resulting in a much safer work environment.

TESTING RESULTS – In our lab, this style of blanket held the parts of a necked-down grade 8 bolt, which shattered in a 100 ton center-hole hydraulic cylinder. The blanket sustained no visible damage when shot with a force and impact that shattered safety glasses!

PROTECT YOURSELF AND YOUR EQUIPMENT.

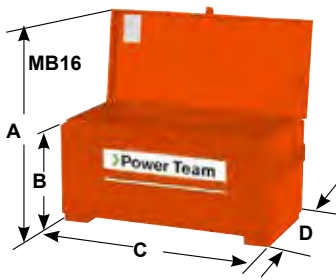
- Made of see-through, high-tensile, tear resistant material.
- The clear protective blankets allow you to visually monitor the job from start to finish.
- Effectively contain broken or flying parts from the most extreme pulling, pressing, pushing or stressing forces.
- Ideal for use with pullers and forcing presses.
- Unlike rigid, fixed guards, these blankets can be wrapped and strapped around a job.
- Protective blankets come in a carrying/storage pouch to reduce aging caused by prolonged exposure to light.

Order No.	Size (mm)	Number of Straps	Weight (kg)
PB1230C	305 x 762	2	1,3
PB2036C	508 x 914	2	1,9
PB2860C	711 x 1524	3	4,2
PB3372C	838 x 1829	3	5,3
PB44120C	1118 x 3048	4	10,9
PB51156C	1295 x 3962	4	15,5



Note: Custom sizes are available on a special order basis. Please consult factory.

JOB-SITE AND MAINTENANCE SECURITY CHESTS



Protect your valuable tools and equipment from theft and weather. When the day's work is finished, you want to rest assured that your tools and equipment will be present the next day. These rugged, lockable chests are the answer that many of our customers have been asking for.

- Rugged, 1,6 mm steel construction with fully arc welded seams for extra strength and weather protection.
- Full length piano hinges, mating cover to body, protect against weather and theft.
- Single or double latch security tabs for padlocks.
- Mechanical cover supports, two 57 mm high skirts.
- Fold-down 19 mm pipe handles on each end of chest.
- Pre-drilled for optional casters, which enhance mobility.
- Durable baked enamel finish.

Order No.	A	B	C	D	Cap. (m ³)	Storage Wt. (kg)	Optional Accessories Caster Wheels
	(mm)	(mm)	(mm)	(mm)			
MB5	883	356	813	483	0,14	30,9	251646– Set of four 4" casters (two swivel and two rigid). Furnished with mounting screws. Wt., 5,7 kg.
MB8	1010	483	1670	483	0,25	40,9	251647 – Set of four 6" casters (two swivel and two rigid). Furnished with mounting screws. Wt., 7,0 kg.
MB16	1264	610	1219	610	0,45	57,2	



Pullers

Model Shown:

Mechanical Pullers (left), Hydraulic Pullers (right)



- 1 Hydraulic cylinder reacts off shaft enabling jaws to extract object in a controlled manner.
- 2 Mechanical pullers use a center bolt to provide force on the shaft enabling jaws to extract object in a controlled manner.
- 3 T-handle facilitates the opening, closing, locking and aligning of the jaws.
- 4 Safety Cage® guides jaws for quick setup, providing a "vise-like" grip reducing slippage.
- 5 Forged jaws provides superior durability.
- 6 Slim tapered jaws allow for easier gripping and better access to tight spots.
- 7 Optional hydraulic cylinder tips to meet your application needs.
- 8 Wide range of standard and long jaw reach arms to increase your versatility.

Features

SAFETY CAGE® GUIDES JAWS FOR FAST SET-UP, SOLID CONTACT AND SUPERIOR SAFETY

- With Power Team Posi-Lock®, pulling bearings is a one-person operation. The T-handle and "Safety Cage®" control the jaws at all times. This means that the opening, closing, locking and aligning of the jaws is all done automatically by simply turning the T-handle.
- Hydraulic pullers come with a lift plate for ease of transport and lifting. In addition, ram points of different sizes are available for a variety of applications
- Using a hydraulic puller system adds efficiency and eliminates unsafe practices such as hammering, heating, or prying components to be removed. The cylinder replaces the center bolt function of a manual puller.
- Pullers are used whenever there are tough maintenance challenges. Examples include: Railroads, Steel & Paper Mills, Mines, Oil Fields, Wind Farms, Factories, Power Plants, Shipyards, etc.



Posi-Lock® is a registered trademark of Posi Lock Puller, Inc.

Ordering Information



Optional Accessories

MECHANICAL PULLERS

Long Jaws*

Order No.	Cap.	Jaw	Bolt Dia.	Reach	Spread	Weight	Order No.	Reach	Spread
	S. Tons	Qty.	(mm)	(mm)	(mm)	(kg)		(mm)	(mm)
PT202	1	2	7,9	57,0	82,6	0,3	—	—	—
PT203	2	2	9,4	76,2	127,0	0,5	—	—	—
PT204	2	2	12,7	102,0	127,0	1,4	—	—	—
PT206	6	2	15,8	152,0	178,0	3,2	—	—	—
PT208	12	2	19,0	203,0	305,0	5,0	PT11054 PT11054L	249/406	401/559
PT210	14	2	19,0	246,0	381,0	6,4	PT11054L	406	559
PT213	25	2	28,5	305,0	457,0	13,6	PT11354L	508	762
PT216	35	2	32,0	356,0	635,0	22,7	PT11654L	660	965
PT102	1	3	7,9	57,0	82,6	0,3	—	—	—
PT103	2	3	9,4	76,2	114,3	0,6	—	—	—
PT104	5	3	12,7	102,0	127,0	1,8	—	—	—
PT106	10	3	15,8	152,0	178,0	3,6	—	—	—
PT108	17	3	19,0	203,0	305,0	5,9	PT11054 PT11054L	249/406	401/559
PT110	20	3	19,0	246,0	381,0	8,2	PT11054L	406	559
PT113	30	3	28,5	305,0	457,0	18,1	PT11354L	508	762
PT116	40	3	32,0	356,0	635,0	29,5	PT11654L	660	965

* Long jaws must be ordered in the quantity required. For example, order two PT11054 for the PT208.



Optional Accessories

HYDRAULIC PULLERS (INCL. CYLINDER)

Long Jaws*

Order No.	Cap.	Cylinder Included	Jaws	Reach	Spread	Weight	Order No.	Reach	Spread
	S. Tons		Qty.	(mm)	(mm)	(kg)		(mm)	(mm)
PTPHB-206	5	C55C	2	152,4	203,2	5,4	—	—	—
PTPHB-208	10	C106C	2	203,0	305,0	12,3	PT11054 PT11054L	249/406	401/559
PTPHB-210	15	C1510C	2	254,0	381,0	17,2	PTPH- 11054L	406	559
PTPHB-213	25	C2514C	2	305,0	457,0	34,0	PT11354L	508	762
PTPHB-216	50	C5513C	2	356,0	635,0	60,3	PTPH- 21654L	660	965
PTPHB-106	5	C55C	3	152,5	203,2	6,4	—	—	—
PTPHB-108	10	C106C	3	203,0	305,0	13,6	PT11054 PT11054L	249/406	401/559
PTPHB-110	15	C1510C	3	254,0	381,0	18,1	PTPH- 11054L	406	559
PTPHB-113	25	C2514C	3	305,0	457,0	38,6	PT11354L	508	762
PTPHB-116	50	C5513C	3	356,0	635	61,2	PTPH- 11654L	660	965

* Long jaws must be ordered in the quantity required. For example, order three PT11054 for the PTPHB-108.

HYDRAULIC BUNDLES (INCL. HAND OR ELECTRIC PUMP)



Hand-Operated



Electric-Operated

Power Team offers a comprehensive line of turnkey Posi-Lock® hydraulic two and three-jaw puller sets.

2-Jaw Order No.	3-Jaw Order No.	Cap. S. Tons	Cylinder Included	Pump Included	Gauge Included	Hose Included	T Adapter Included
PTPHC-206E	PTPHC-106E	5	C55C	P19L	9040E	9756E	9670
PTPHC-208E	PTPHC-108E	10	C106C	P19L	9040E	9756E	9670
PTPHC-210E	PTPHC-110E	15	C1510C	P59L	9040E	9756E	9670
PTPHC-213E	PTPHC-113E	25	C2514C	P159	9040E	9756E	9670
PTPHC-216E	PTPHC-116E	50	C5513C	P460	9040E	9756E	9670

2-Jaw Order No.*	3-Jaw Order No.*	Cap. S. Tons	Cylinder Included	Pump Included	Gauge Included	Hose Included	T Adapter Included
PTPHD-206-E220	PTPHD-106-E220	5	C55C	PE172-E220	9040E	9758E	9670
PTPHD-208-E220	PTPHD-108-E220	10	C106C	PE172-E220	9040E	9758E	9670
PTPHD-210-E220	PTPHD-110-E220	15	C1510C	PE172-E220	9040E	9758E	9670
PTPHD-213-E220	PTPHD-113-E220	25	C2514C	PE172-E220	9040E	9758E	9670
PTPHD-216-E220	PTPHD-116-E220	50	C5513C	PE172-E220	9040E	9758E	9670

* Also available in E110

PULLER ACCESSORIES



Storage Transport Cart

Power Team offers accessories to compliment your puller. These accessories conveniently store, transport and position your hydraulic pullers to maximize your productivity.

Order No.	Puller No. *
Storage Transport Cart	
PTPT-2550	PTPHB-213
PTPT-2550	PTPHB-216
PTPT-2550	PTPHB-113
PTPT-2550	PTPHB-116

* Pullers not included

Note: Accessories only for models shown above.



Versatility and Use



Tapered jaw design allows clamping around bearing for a perfect pull.



Tapered roller bearing on shaft.



Lock on ball grooves and bearing races.

HIGH TONNAGE PULLERS



Power Team Posi-Lock® 100 and 200 ton hydraulic pullers provide maximum extraction force in applications requiring high force removal of large gears, pulleys, wheels, sleeves and other press fit parts. Lifting brackets allow the puller to be removed from the cart and lifted into work places above 1,5 m.

	Order No.*	Cap.	Jaws	Reach	Spread	Tip Width	Tip Clearance	Tuip Depth	Weight
		S. Tons	Qty.	(mm)	(mm)	(mm)	(mm)	(mm)	(kg)
Single-Acting	PTPH-102T-E220	100	2	1270	1778	32	88,9	88,9	771
	PTPH-100T-E220	100	3	1270	1778	32	88,9	88,9	885
	PTPH-123T-E220	100	2/3	1270	1778	32	88,9	88,9	907
	PTPH-102TV-E220**	100	2	1270	1778	32	88,9	88,9	816
Double-Acting	PTPH-102TDA-E220	100	2	1270	1778	32	88,9	88,9	816
	PTPH-100TDA-E220	100	3	1270	1778	32	88,9	88,9	930
	PTPH-123TDA-E220	100	2/3	1270	1778	32	88,9	88,9	953
	PTPH-102DATV-E220**	100	2	1270	1778	32	88,9	88,9	816
	PTPH-200T-E220	200	4	48.00	1778	32	88,9	88,9	1882

* Also available in E110

** Vertical mounted puller.

Note: Each high tonnage puller is equipped with a E220/PE55 Power Pump and a C Series Cylinder for single-acting or RD Series Cylinder on double-acting models.

Note: Pushing adapters sized; 89 mm diameter and lengths 229, 483 & 737 mm are included. Contact factory for other voltage requirements.

PROMOTIONAL GOODS

Showcase your pullers with a branded, reinforced pegboard display in your showroom or shop.



Peg Board Only
Order No. 2008508



Peg Board with Pullers
Order No. PTPM4L

Kit Components	Description	Order No.					
		PTPM4	PTPM4L	PTPM4S	PTPM5	PTPM6	PTMPS16
PTP13/16	TIP PROTECTOR for PT113 / PT213 / PT116 / PT216	—	—	—	—	—	4
PTP10	TIP PROTECTOR PT108 / PT208 / PT110 / PT21	1	2	—	1	2	4
PTP6	TIP PROTECTOR for PT106 / PT206	2	2	2	2	2	2
PTP4	TIP PROTECTOR for PT104 / PT204	1	—	2	1	2	2
PT216	PULLER, MANUAL 2-JAW - 35 TON	—	—	—	—	—	1
PT213	PULLER, MANUAL 2-JAW - 25 TON	—	—	—	—	—	1
PT210	PULLER, MANUAL 2-JAW - 14 TON	—	1	—	—	1	1
PT208	PULLER, MANUAL 2-JAW - 12 TON	—	—	—	—	—	1
PT206	PULLER, MANUAL 2-JAW - 6 TON	1	1	1	1	1	1
PT204	PULLER, MANUAL 2 JAW - 2 TON	—	—	1	—	1	1
PT203	PULLER, MANUAL 2-JAW - 2 TON	—	—	—	—	—	1
PT202	PULLER, MANUAL 2-JAW - 1 TON	—	—	—	—	—	1
PT116	PULLER, MANUAL 3-JAW - 40 TON	—	—	—	—	—	1
PT113	PULLER, MANUAL 3-JAW - 30 TON	—	—	—	—	—	1
PT110	PULLER, MANUAL 3-JAW - 20 TON	1	1	—	1	1	1
PT108	PULLER, MANUAL 3-JAW - 17 TON	—	—	—	—	—	1
PT106	PULLER, MANUAL 3-JAW - 10 TON	1	1	1	1	1	1
PT104	PULLER, MANUAL 3-JAW - 5 TON	—	—	—	—	—	1
PT103	PULLER, MANUAL 3-JAW - 2 TON	—	—	—	1	—	1
PT102	PULLER, MANUAL 3-JAW - 1 TON	—	—	—	—	—	1
2008505	TOOL BOARD KIT, Posi-Lock® TOOL SETS	1	1	1	1	2	2

Model Shown:

PH303C, PH63C, HST11S, PH82K



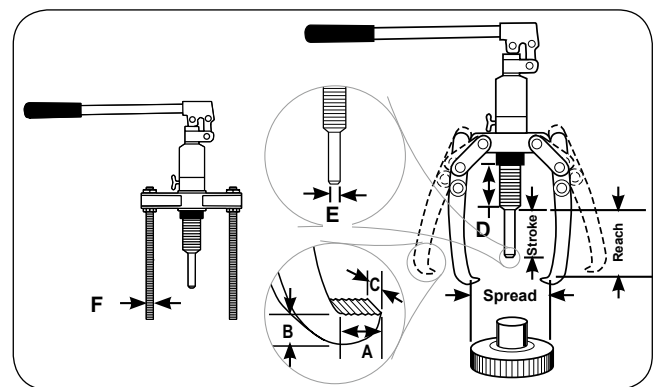
Features

SELF CONTAINED PULLER SYSTEMS ENABLES FAST AND QUICK SETUP

- Power Team pullers are tested for top performance and reliability at maximum capacity and jaw spread.
- Easily metered release valve control knob.
- Spring loaded live centering cone.
- Bladder type oil reservoir.
- Rapid adjustment.
- Use with 2 or 3-jaws.
- Supplied with a sturdy storage/carrying case.
- Features Power Team's exclusive PowerThon™ Limited Lifetime Warranty.

HYDRA LOCK-JAW™ PULLING SYSTEM

These pullers are ideal for pulling a wide variety of press-fitted parts including bushings, bearings, wheels, gears and pulleys. Hydra Lock-Jaw™ pullers have been rigorously tested for top performance and reliability. PH82K is a complete pulling system which includes a hydraulic power module, 2-way puller head, jaws, legs and bearing splitter attachment, all contained in a convenient carrying case.



Ordering Information

Order No.	Cyl. Cap. (ton)	Reach Studs (mm)	Min. Jaws (mm)	Min. Reach (mm)	Max. Studs (mm)	Spread (mm)	Stroke (mm)	A	B	C	D	E	F	Weight (kg)
								(mm)	(mm)	(mm)	(mm)	(mm)	(in.)	
PH63C	6	—	152	—	—	200	80	11	6,4	22	83	22	—	4,9
PH83C	8	—	190	—	—	249	80	11	9,5	25,4	83	22	—	6,6
PH113C	15	—	229	—	—	280	80	14,3	9,5	29	83	29	—	8,0
PH303C	30	266,7	375	—	—	540	110	27	36,5	38	170	54	5/8-18 UNF	32,3
PH82K	8	266,7	207	125	300	245	80	52	25,4	16	83	22	5/8-18 UNF	9,5
HST11S*	11	—	150	—	—	409,6	80	—	—	—	65	29	—	14,5

* Max bar size 2.3622"

LOCK-JAW™ PULLER ACCESSORY KITS FOR THE HYDRA LOCK-JAW™ PULLER NO. PH83C



Order No.	Description
K82	Accessory kit for the Hydra Lock-Jaw™ puller PH83C. Includes 2-way puller head, 2-jaws, 2 threaded legs and sturdy carrying/storage case. Wt. 6,2 kg.

LOCK-JAW™ PULLER ACCESSORY KITS FOR THE PH83C LOCK-JAW™ HYDRAULIC PULLER



Order No.	Description
K83	Accessory kit for PH83C Hydra Lock-Jaw™ hydraulic puller. Includes 2/3-way puller head, 3-jaws, 3 threaded legs (5/8-18 thread) and sturdy carrying/storage case. Also can be used with 1123, 1124, 1130 pulling attachments. 10,4 kg.

PULLER ACCESSORY CONVERTS PH113C INTO A HYDRAULIC STRAIGHTENING TOOL



Shaft adapter included

Good for straightening mechanical shafts, round bars, etc. Simply remove pump and cylinder from puller head and insert them into the straightening tool accessory. This product is widely used in steel mills, wire roll companies, wire extruding companies, textile industry, and any straightening situation where portability and power are required. Contoured heat-treated shaft adapter included.

Order No.	Description
HST11	Spread: 89 to 410 mm, Reach: 150 mm. 9,5 kg.

LONG JAW SET FOR PH83C AND PH113C LOCK-JAW™ PULLERS



This long jaw set is the perfect addition to the PH83C or PH113C Lock-Jaw™ hydraulic pullers. The extra long jaws give you the added capability of pulling a wider variety of parts. Jaw capacity is 8 tons when used with the PH83C puller; 15 tons when used with the PH113C puller.

Order No.	Description
1188	Spread: 280 to 317 mm, Reach: 317 mm. Wt. 5,2 kg.

Model Shown:

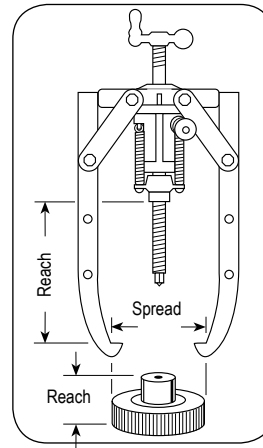
PH53CR, PH172, PH303



Features

REMOVE GEARS, BEARINGS, AND OTHER PRESS-FITTED PARTS WITH SPEED AND EASE.

- Broad capacity range of 5, 10, 17.5, 30 and 50 tons.
- 5 and 10 ton sets include: single-acting, spring return hydraulic cylinder, hose, coupler dust cap, single-speed hydraulic hand pump, and puller.
- 17.5, 30 and 50 tons sets include: Power-Twin® single-acting, spring return hydraulic cylinder, hose, coupler dust cap, single-speed hydraulic hand pump puller, adjusting screw and crank.
- Hydraulic cylinder of all models is readily removable from puller for use with pump in other hydraulic applications. You get maximum maintenance versatility for your investment.
- Fed. Spec.: GGG-P-00781-D



CAUTION: Always use a 3-jaw puller where clearance permits in order to provide a more stable setup and a more even pulling force.

Ordering Information - Puller Only

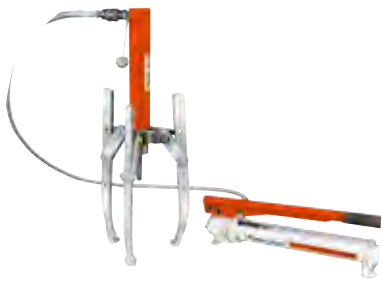
Order No.	Cap. (ton)	Jaws Qty.	Jaw Reach (mm)	Jaw Spread (mm)	Jaw Thickness (mm)	Jaw Width (mm)	Weight (kg)
1057	5	2/3	222	292	8,7	25	3,5
1060	10	2/3	381	432	14,3	25	7,7
1064	17 1/2	2	292	406	20,6	32,5	10
1066	17 1/2	3	292	508	20,6	32,5	16,3
1074	30	3	494	864	28,6	41,3	40,9
1080	50	3	702	1118	35,7	47,6	86,7

5 TON CAPACITY, 2/3-JAW PULLER




Order No.	Description
PH53C	Combination 2-jaw/3-jaw puller set. Includes 1057 5 ton puller, RPS55 hydraulic set (C55C cylinder, P12 hand pump, fittings, coupler, and 1,8 m. hose), and 309874 pushing adapter. Wt., 9,1 kg.
PH53CR	Combination 2-jaw/3-jaw puller set. Includes 1057 5 ton puller, C55C cylinder, and 309874 pushing adapter. Wt., 5,5 kg.
1057	5 ton cap. 2-jaw/3-jaw puller only. Wt., 3,5 kg.
AVAILABLE COMPONENTS	
Order No.	Description
309874	15,9 mm diameter pushing adapter. (Included with PH53C and PH53CR hydraulic puller sets). Wt., 0,1 kg.
309875	22,2 mm diameter pushing adapter. Wt., 0,3 kg.
47997	2-way/3-way puller head. (Can be used to convert 1038 7 ton manual puller into a 5 ton hydraulic puller). Wt., 1,1 kg.


10 TON CAPACITY, 2/3-JAW PULLER

	Order No.	Description
	PH103C	Combination 2-jaw/3-jaw puller, 10 ton capacity. Set includes 1060 10 ton puller, RPS1010 cylinder and pump set, and 202179 threaded adapter. Wt., 23,6 kg.
	PH103CR	Combination 2-jaw/3-jaw puller, 10 ton capacity. Set includes 1060 10 ton puller, 202179 threaded adapter, and C1010C cylinder only. (Pump and hose not included). Wt., 14,5 kg.
	1060	Combination 2-jaw/3-jaw puller only. 10 ton capacity. (Cylinder and pump set, hose, coupler, and adapter No. 202179 not included). Wt., 7,7 kg.
<p>NOTE: This puller may be used with any 10 ton single-acting cylinder having a 2 1/4"-14 straight collar thread.</p>		


17.5 TON CAPACITY, 2-JAW PULLER

	Order No.	Description
	PH172	2-jaw puller (1064) with RT172 center-hole Power-Twin® cylinder, cylinder half coupler, P55 pump 1,8 meter hose, hose half coupler, 1"- 8 x 508 mm long adjusting screw, and adjusting crank.
	1064	Puller only. (Cylinder, pump, hose, coupler, screw, and crank not included). Wt., 10,0 kg.


17.5 TON CAPACITY, 3-JAW PULLER

	Order No.	Description
	PH173	3-jaw puller with RT172 center-hole Power-Twin® cylinder, cylinder half coupler, P55 pump, 1,8 m. hose, hose half coupler, 1"- 8 x 508 mm long adjusting screw, and adjusting crank. Wt., 34,0 kg.
	PH173R	3-jaw puller with screw and crank, and RT172 center-hole twin cylinder. Wt., 25,4 kg.
	1066	Puller only. (Cylinder, pump, hose, coupler, screw, and crank not included). Wt., 16,3 kg.

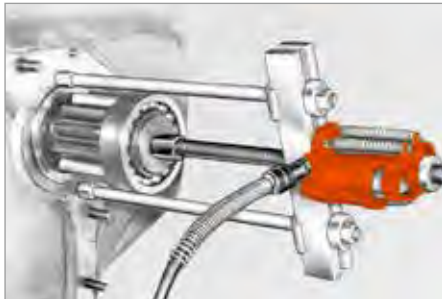
30 TON CAPACITY, 3-JAW PULLER

	Order No.	Description
	PH303	3-jaw puller with RT302 center-hole Power-Twin® cylinder, cylinder half coupler, P55 pump, 1,8 m. hose, hose half coupler, 1 1/4"- 7 x 610 mm large adjusting screw, and adjusting crank. Wt., 67,7 kg.
	PH303R	3-jaw puller with screw and crank, and RT302 center-hole twin cylinder. Wt., 59,0 kg.
	1074	Puller only. (Cylinder, pump, hose, coupler, screw, and crank not included). Wt., 40,0 kg.

50 TON CAPACITY, 3-JAW PULLER

	Order No.	Description
	PH503	3-jaw puller with RT503 center-hole Power-Twin® cylinder, cylinder half coupler, P55 pump, 1,8 m. hose, hose half coupler, 1 5/8"- 5 1/2 x 722 mm long adjusting screw, and adjusting crank. Wt., 130,0 kg.
	1080	3-jaw puller only. (Cylinder, pump, hose, coupler, screw, and crank not included). Wt., 86,7 kg.

Model Shown:
PPH50



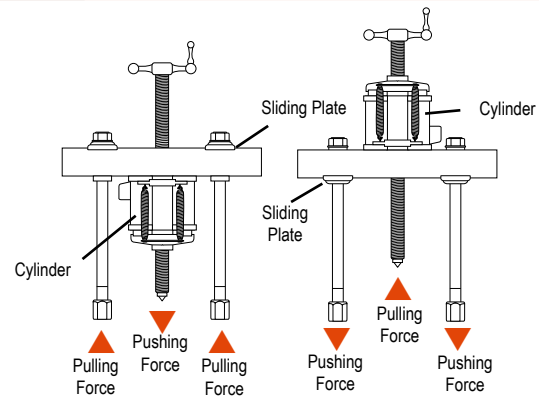
Features

THE POWER TO MAKE IMPOSSIBLE JOBS BECOME ROUTINE.

- Can apply a hydraulic pushing or pulling force, depending on how the puller is set up.
- Each unit includes perfectly matched hydraulic components that can be detached from the Bi-Directional™ Puller for other tasks requiring dependable power, and assuring maximum return on your investment.
- Optional leg kits adapt your Bi-Directional™ Puller to extra long or extra short reach.
- A wide variety of threaded adapters, bearing pulling attachments and internal pulling attachments can be used in combination with our Bi-Directional™ Pullers.



Assembling the tool to apply pushing or pulling force:

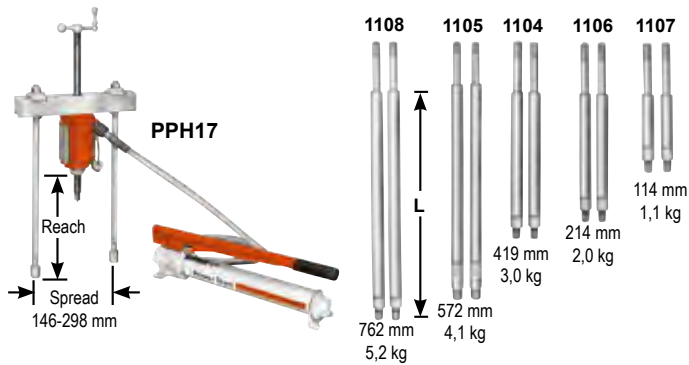


1. Determine if you want the tool's forcing screw to push or pull.
2. To exert pushing force, the forcing nut is installed beneath the cross block, as shown on left.
3. To cause the forcing screw to pull, the forcing nut is placed on top of the cross block.
4. The sliding plates must always be placed on the opposite side of the cross block from the forcing nut.

SELECTION AND CAPACITY RATING – Each Bi-Directional™ Puller's specified tonnage "capacity" is determined using its standard legs in tension. Using longer legs, or a setup in which the legs are in compression, will reduce the "capacity." Always select the largest "capacity" puller and the shortest legs that will fit the job.

POWER-TWIN® CYLINDER – This unique center-hole cylinder powers each Bi-Directional™ Puller screw runs right between the twin spring cylinder. A basic head allows you to change from a tapped hole to a plain hole by merely changing the head insert.

17.5 TON CAPACITY BI-DIRECTIONAL™ PULLER

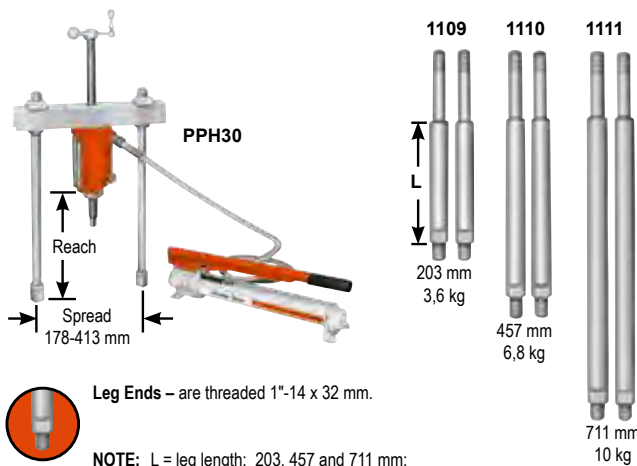


Leg Ends – Upper leg ends are threaded 3/4"-16.
Lower leg ends are threaded 5/8"-25 mm long

NOTE: L = leg length: 114, 241, 419, 572 and 762 mm; subtract 124 mm from leg length to determine reach when using leg end caps.

Order No.	Description
PPH17	Bi-Directional™ Puller with RT172 center-hole Power-Twin® cylinder, cylinder half coupler, P55 pump, 9767 1,8 m. hose, 9798 hose half coupler, 419 mm legs, 24827 leg ends, 1"-8 x 508 mm large adjusting screw and adjusting crank. Wt., 26,8 kg.
PPH17R	Bi-Directional™ Puller with RT172 center-hole Power-Twin® cylinder, cylinder half coupler, but without P55 pump, 9767 1,8 m. hose and 9798 hose half coupler. Wt., 18,1 kg.
1062	Puller only. (Cylinder, pump, hose, coupler, screw and crank not included). Wt., 9,1 kg.
USE WITH:	
Bearing pulling attachment:	1124 and 1130
Pully Pulling attachment:	679
Internal Pulling attachment:	1154
Legs:	1104, 1105, 1106, 1107 and 1108 - Pair of legs for 17.5-ton "capacity" Bi-Directional™ Puller.

30 TON CAPACITY BI-DIRECTIONAL™ PULLER

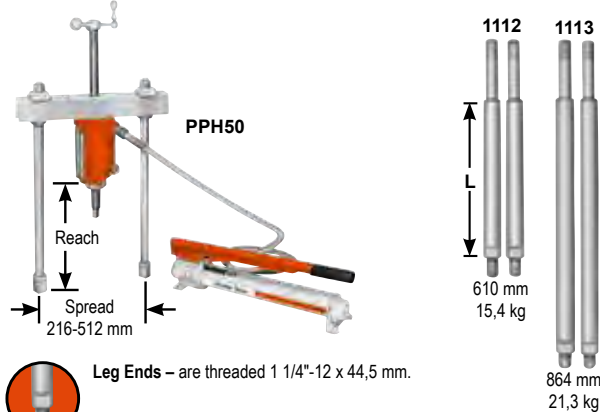


Leg Ends – are threaded 1"-14 x 32 mm.

NOTE: L = leg length: 203, 457 and 711 mm; subtract 149 mm from leg length to determine reach when using leg end caps.

Order No.	Description
PPH30	Bi-Directional™ Puller with RT302 center-hole Power-Twin® cylinder, cylinder half coupler, P55 pump, 9767 1,8 m. hose, 9798 hose half coupler, 457 mm legs, 28390 leg ends, 1 1/4"-7 x 610 mm lg. adjusting screw and adjusting crank. Wt., 46,3 kg.
PPH30R	Bi-Directional™ Puller with RT302 center-hole Power-Twin® cylinder, cylinder half coupler, but without P55 pump, 9767 1,8 m. hose and 9798 hose half coupler. Wt., 37,2 kg.
1070	Puller only. (Cylinder, pump, hose, coupler, screw and crank not included). Wt., 19,1 kg.
USE WITH:	
Bearing pulling attachment:	680 (Use two 8012 adapters to connect to puller.)
Pully Pulling attachment:	679
Internal Pulling attachment:	1166
Legs:	1109, 1110 and 1111 - Pair of legs for 30 ton "capacity" Bi-Directional™ Puller.

50 TON CAPACITY BI-DIRECTIONAL™ PULLER



Leg Ends – are threaded 1 1/4"-12 x 44,5 mm.

Order No.	Description
PPH50	Bi-Directional™ Puller with RT503 center-hole Power-Twin® cylinder, cylinder half coupler, P55 pump, 9767 1,8 m. hose, 9798 hose half coupler, 610 mm legs, 1 5/8-5 1/2 x 722 mm lg. adjusting screw and adjusting crank. Wt., 91,3 kg.
PPH50R	Bi-Directional™ Puller with RT503 center-hole Power-Twin® cylinder, cylinder half coupler, but without P55 pump, 9767 1,8 m. hose and 9798 hose half coupler. Wt., 82,2 kg.
1076	Puller only. (Cylinder, pump, hose, coupler, screw and crank not included.) Wt., 48,1 kg.
USE WITH:	
Bearing pulling attachment:	1128
Legs:	1112 and 1113 - Pair of legs for 50 ton "capacity" Bi-Directional™ Puller.

17.5 TON HYDRAULIC MASTER PULLER SETS

Model Shown:

IPS17



WOODEN STORAGE BOX

308435OR9 is included with the sets listed on this page.

1016 mm L x 406 mm H x 406 mm D. Wt. 20 kg.

MB5 Metal storage boxes also available.

Having this Power Team puller set at your fingertips will not only reduce your downtime, but also increase your profits.

Order No.	Description
IPS17	17.5 ton capacity puller set. Includes hydraulics, pullers, wooden storage box and accessories listed below. Wt., 86,7 kg.
IPS17B	Puller set with MB5 metal box. Wt., 96,7 kg.

HYDRAULICS

Order No.	Description
P55	Single-stage hyd. hand. pump assembly
RT172	17.5 ton cylinder with threaded insert
9798	Hose half coupler
9767E	Hydraulic hose – 1,8 m.
9670	Tee adapter
9059E	Pressure gauge

ACCESSORIES

Order No.	Description
1154	Bearing cup pulling attachment
1122	Bearing pulling attachment
1123	Bearing pulling attachment
1130	Bearing pulling attachment

PULLERS

Order No.	Description
1062	17.5 ton cap. Bi-Directional™ Puller with 419 mm legs
24814	Speed crank
201923	Pushing adapter
1105	572 mm legs (2)
1066	17.5 ton 3-jaw hyd. puller
1027	Combination 2/3-jaw puller
41224	17.5 ton 2-jaw puller head
24832	Puller screw
1037	Combination 2/3-jaw puller
1041	Combination 2/3-jaw puller
28228	Cylinder cap

THREADED ADAPTERS

Order No.	Description
679	V-belt pulley pulling attachment
8005	5/8" – 18 F. x 3/8" – 16 M. (2)
8006	5/8" – 18 F. x 1/2" – 20 M. (2)
8007	5/8" – 18 F. x 1/2" – 13 M. (2)
8010	5/8" – 18 F. x 5/8" – 11 M. (2)
8013	5/8" – 18 F. x 3/4" – 16 M. (2)
8015	5/8" – 18 F. x 3/4" – 10 M. (2)
8017	5/8" – 18 F. x 7/8" – 14 M. (2)
8018	5/8" – 18 F. x 7/8" – 9 M. (2)
8019	5/8" – 18 F. x 1" – 14 M. (2)
8020	1" – 8 F. x 5/8" – 18 M. (1)
8021	1" – 8 F. x 1" – 14 M. (1)
8044	Female threaded adapter set
8038	5/8" – 18 F. x 3/4" – 16 F. (2)
8056	Set of 6 shaft protectors (8050-8055)
1130	Set of 11 shaft protectors (8057-8067)

17.5 TON HYDRAULIC PULLER SET



This set includes a 3-jaw puller and a Bi-Directional™ Puller. Ideal for heavy-duty applications. Put this set to work wherever large gears, bearings, wheels, pulleys, etc. are found.

Order No.	Description
IPS17H	17.5 ton capacity hydraulic puller set. Includes hydraulics, pullers, wooden storage box and accessories listed below. Wt., 62,2 kg.

HYDRAULICS

Order No.	Description
P55	Single-stage hyd. hand. pump assembly
RT172	17.5 ton cylinder with threaded insert
9798	Hose half coupler
9767E	Hydraulic hose – 1,8 m.
9670	Tee adapter
9059E	Pressure gauge

ACCESSORIES

Order No.	Description
1154	Bearing cup pulling attachment
1130	Bearing pulling attachment
1105	572 mm legs (2)
24814	Speed crank
28228	Screw cap
32118	Adjusting screw
201454	Pushing adapter
41224	2-jaw head for 1066 Threaded Adapters

PULLERS

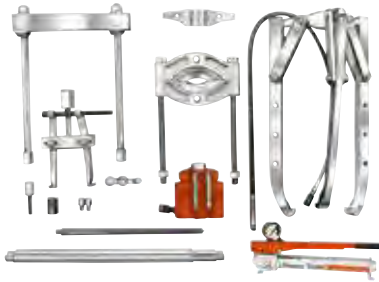
Order No.	Description
1062	17.5 ton cap. Bi-Directional™ Puller with 419 mm legs
24814	Speed crank

THREADED ADAPTERS

Order No.	Description
8020	1" – 8 F. x 5/8" – 18 M. (1)
8038	5/8" – 18 F. x 3/4" – 16 F. (2)

Pullers

30 TON CAPACITY PULLER SET



WOODEN STORAGE BOX

3084380R9 is included with the sets listed on this page.

1180 mm L x 615 mm H x 579 mm D. Wt. 41 kg.

MB16 Metal storage boxes also available.

Just what you need for those big jobs. Not only do you get a 30 ton hydraulic Bi-Directional™ Puller, you also get a 2-jaw and 3-jaw hydraulic puller. Plus, many popular accessories and the hardware to tackle the big jobs right away.

Order No.	Description
IPS30H	30 ton capacity hydraulic maintenance puller set. Includes hydraulics, pullers, wooden storage box and accessories listed below. Wt., 150 kg.

HYDRAULICS

Order No.	Description
P55	Single-stage hyd. hand. pump assembly
RT172	30 ton cylinder with threaded insert
9798	Hose half coupler
9767E	Hydraulic hose – 1,8 m.
9670	Tee adapter
9059E	Pressure gauge

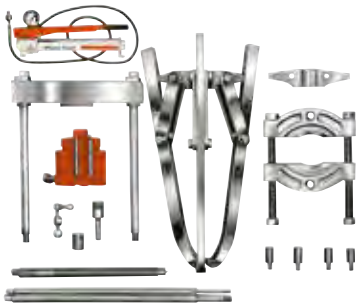
PULLERS

Order No.	Description
1074	30 ton, 3-jaw hyd. puller
41226	2-way head for 1074
1070	30 ton cap. hydraulic Bi-Directional™ Puller with 457 mm legs
1111	711 mm legs for 1070
27198	Speed crank
28229	Screw cap
34510	Pushing adapter
34758	Adjusting screw

ACCESSORIES

Order No.	Description
8036	Female threaded adapters 1" – 14 F. x 1" – 14 F. (2)
1166	Bearing cup pulling attach.
1127	Bearing pulling attachment

50 TON CAPACITY PULLER SET



For those really big jobs, this 50 ton puller set is what you need. Just think of the jobs you can do with a 50 ton hydraulic Bi-Directional™ Puller, a 2-jaw and a 3-jaw puller, both with a 50 ton capacity. Of course, you also get many versatile accessories and attachments.

Order No.	Description
IPS50H	50 ton capacity hydraulic maintenance puller set. Includes hydraulics, pullers, wooden storage box and accessories listed below. Wt., 261 kg.

HYDRAULICS

Order No.	Description
P55	Single-stage hyd. hand. pump assembly
RT172	50 ton cylinder with threaded insert
9798	Hose half coupler
9767E	Hydraulic hose – 1,8 m.
9670	Tee adapter
9059E	Pressure gauge

PULLERS

Order No.	Description
1080	50 ton, 3-jaw hyd. puller
50449	2-way head for 1080
1076	50 ton cap. hydraulic Bi-Directional™ puller with 610 mm legs
29595	Speed crank
28230	Screw cap
34755	Pushing adapter
32698	Adjusting screw
1128	Bearing pulling attachment

THREADED ADAPTERS

Order No.	Description
8036	Female threaded adapters 1" – 14 F. x 1" – 14 F. (2)
1166	Bearing cup pulling attach.
1127	Bearing pulling attachment



CAUTION: All the items shown may not withstand the full tonnage specified.
Example: When an accessory with a 1 ton capacity is used with a 7 ton puller, the setup can be used only at a force of 1 ton.

17.5 AND 30 TON CAPACITY PULLER SETS

Model Shown:
IPS3017



WOODEN STORAGE BOX

No. 3084360R9 is included with the sets listed on this page.

1016 mm L x 432 mm H x 601 mm D. Wt. 29 kg.

MB8 Metal storage boxes also available.

These heavy-duty maintenance sets will more than pay for themselves, especially in saving you costly damage to parts. This set lets you tackle hundreds of applications where pushing and pulling are required.

Order No.	Description
IPS5317	17.5 ton capacity manual and hydraulic puller set. Includes hydraulics, pullers, wooden storage box and accessories listed below. Wt., 244 kg.
IPS3017B	Puller set with MB8 metal box. Wt., 256 kg.

HYDRAULICS

Order No.	Description
P55	Single-stage hyd. hand. pump assembly
RT172	17.5 ton cylinder with threaded insert
RT302	30 ton center-hole twin cylinder w/ threaded insert
9798	Hose half coupler
9767E	Hydraulic hose – 1,8 m.
9670	Tee adapter
9059E	Pressure gauge

PULLERS

Order No.	Description
1062	17.5 ton cap. Bi-Directional™ Puller w/419 mm legs
1070	30 ton cap. hydraulic Bi-Directional™ Puller w/457 mm legs
1066	17.5 ton 3-jaw hyd. puller
1074	30 ton 3-jaw hyd. puller
41224	17.5 ton 2-jaw puller head
41226	30 ton 2-jaw puller head
1027	Combination 2/3-jaw puller
1037	Combination 2/3-jaw puller
1041	Combination 2/3-jaw puller
43892	Long jaws (3) for 1037
30902	Long jaws (3) for 1041
1105	572 mm legs for 1062
1111	711 mm legs for 1070
24814	Speed crank
27198	Speed crank
28229	Screw cap
28228	Cylinder cap
32118	Adjusting screw
34758	Adjusting screw
34510	Pushing adapter
201923	Pushing adapter

ACCESSORIES

Order No.	Description
24832	Special puller forcing screw
8075	Step plate adapter set
8076	Step plate adapter set
8056	Shaft protector set
679	Pulley pulling attachment
680	Pulley pulling attachment
1154	Bearing cup pulling attachment
1166	Bearing cup pulling attachment
1122	Bearing pulling attachment
1123	Bearing pulling attachment
1126	Bearing pulling attachment
1130	Bearing pulling attachment

THREADED ADAPTERS

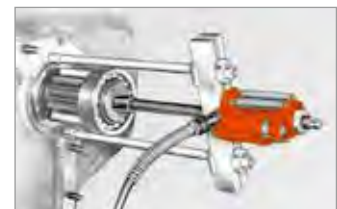
Order No.	Description
8005	5/8" – 18 F. x 3/8" – 16 M. (2)
8006	5/8" – 18 F. x 1/2" – 20 M. (2)
8007	5/8" – 18 F. x 1/2" – 13 M. (2)
8010	5/8" – 18 F. x 5/8" – 11 M. (2)
8012	1" – 14 F. x 5/8" – 18 M. (2)
8013	5/8" – 18 F. x 3/4" – 16 M. (2)
8015	5/8" – 18 F. x 3/4" – 10 M. (2)
8017	5/8" – 18 F. x 7/8" – 14 M. (2)
8018	5/8" – 18 F. x 7/8" – 9 M. (2)
8019	5/8" – 18 F. x 1" – 14 M. (2)
8020	1" – 8 F. x 5/8" – 18 M. (1)
8021	1" – 8 F. x 1" – 14 M. (1)
8025	1 1/4" – 7 F. x 5/8" – 18 M. (2)
8027	1 1/4" – 7 F. x 1" – 14 M. (2)
8036	1" – 14 F. x 1" – 14 F. (2)
8038	5/8" – 18 F. x 3/4" – 16 F. (2)
8044	Female threaded adapter set



2-jaw puller reaches through spokes of gear to grip hub. Hand pump supplies hydraulic power.



Flexible coupler is removed from electric motor shaft with 2-jaw puller.



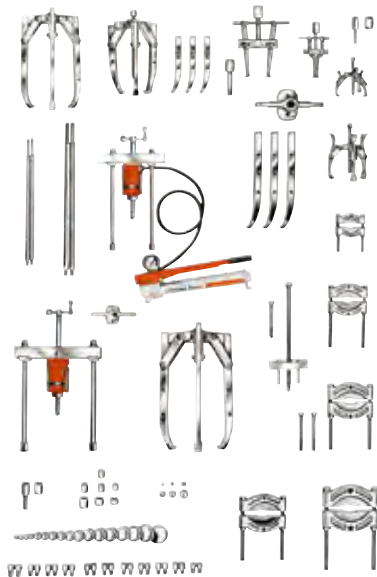
Typical setup for removing sprocket drive pinion shaft. Puller screw is attached to shaft by threaded adapter. Shaft is now ready to be pulled out hydraulically.



CAUTION: All the items shown may not withstand the full tonnage specified.
Example: When an accessory with a 1 ton capacity is used with a 7 ton puller, the setup can be used only at a force of 1 ton.

17.5 AND 50 TON CAPACITY PULLER SETS

Model Shown:
IPS5017



WOODEN STORAGE BOX
No. 308439OR9 is included with the sets listed on this page.

1143 mm L x 572 mm H x 762 mm D. Wt. 47,6 kg.

MB16 Metal storage boxes also available.

If you are looking for a maintenance puller set that will handle a wide variety of applications, this one is for you. The mechanical and hydraulic pullers and attachments are designed to handle most removing and installing jobs with a minimal amount of effort.

Order No.	Description
IPS5017	17.5 and 50 ton capacity manual and hydraulic puller set. Includes hydraulics, pullers, wooden storage box and accessories listed below. Wt., 405 kg.
IPS5017B	Puller set with MB16 metal box. Wt., 415 kg.

HYDRAULICS

Order No.	Description
P55	Single-stage hyd. hand. pump assembly
RT172	17.5 ton cylinder with threaded insert
RT302	50 ton center-hole twin cylinder w/ threaded insert
9798	Hose half coupler
9767E	Hydraulic hose – 1,8 m.
9670	Tee adapter
9059E	Pressure gauge

PULLERS

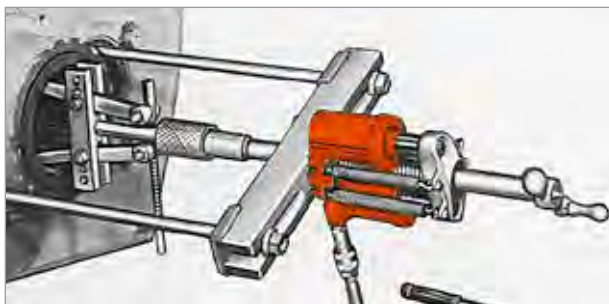
Order No.	Description
1062	17.5 ton cap. Bi-Directional™ Puller with 419 mm legs
1076	50 ton cap. hydraulic Bi-Directional™ Puller with 610 mm legs
1066	17.5 ton 3-jaw hyd. puller
1080	17.5 ton 3-jaw hyd. puller
41224	17.5 ton 2-jaw puller head
50449	50 ton 2-jaw puller head
1027	Combination 2/3-jaw puller
1037	Combination 2/3-jaw puller
1041	Combination 2/3-jaw puller
43892	Long jaws (3) for 1037
30902	Long jaws (3) for 1041
1105	572 mm legs for 1062
1113	864 mm legs for 1076
24814	Speed crank
29595	Speed crank
28228	Screw cap
28230	Cylinder cap
32118	Adjusting screw
32698	Adjusting screw
34755	Pushing adapter
201923	Pushing adapter
7392	Gear and pulley puller
24833	Forcing screw for 7392

ACCESSORIES

Order No.	Description
8075	Step plate adapter set
8076	Step plate adapter set
8056	Shaft protector set
1154	Bearing cup pulling attachment
1166	Bearing cup pulling attachment
1122	Bearing pulling attachment
1123	Bearing pulling attachment
1126	Bearing pulling attachment
1127	Bearing pulling attachment
1130	Bearing pulling attachment
34479	Reducing adapter for 1166
10215	Hex nut; 3/4" – 16 (2)
24829	Short bolt

THREADED ADAPTERS

Order No.	Description
8005	5/8" – 18 F. x 3/8" – 16 M. (2)
8006	5/8" – 18 F. x 1/2" – 20 M. (2)
8007	5/8" – 18 F. x 1/2" – 13 M. (2)
8010	5/8" – 18 F. x 5/8" – 11 M. (2)
8013	5/8" – 18 F. x 3/4" – 16 M. (2)
8015	5/8" – 18 F. x 3/4" – 10 M. (2)
8019	5/8" – 18 F. x 1" – 14 M. (2)
8020	1" – 8 F. x 5/8" – 18 M. (1)
8021	1" – 8 F. x 1" – 14 M. (1)
8023	1 1/4" – 12 F. x 1" – 14 M. (2)
8028	1 5/8" – 5 1/2 F. x 1" – 8 M. (1)
8029	1 5/8" – 5 1/2 F. x 1" – 14 M. (1)
8038	5/8" – 18 F. x 3/4" – 16 F. (2)
8044	Female threaded adapter set



Combination of 50 ton capacity Bi-Directional™ Puller and cup pulling attachment simplifies the removal of a final drive axle seal.



Hydraulically powered Bi-Directional™ Puller removes drive wheel. Pulling attachment is used to provide gripping surface.



3-jaw puller provides grip while hydraulic hand pump provides power to push shaft from housing. Shaft protector is used on end of puller screw.

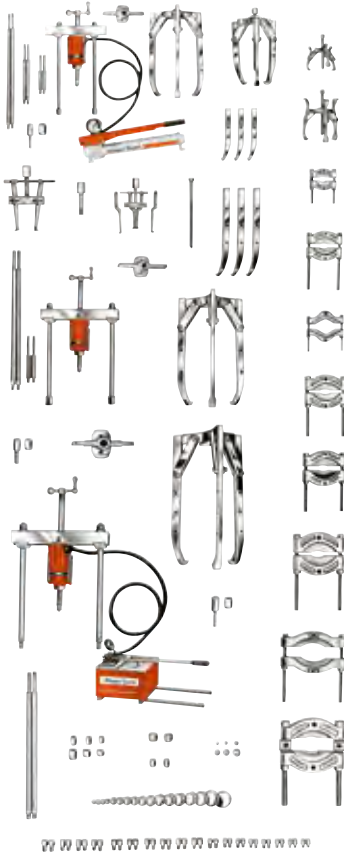
Pullers



CAUTION: All the items shown may not withstand the full tonnage specified. Example: When an accessory with a 1 ton capacity is used with a 7 ton puller, the setup can be used only at a force of 1 ton.

17.5, 30 AND 50 TON CAPACITY PULLER SETS

Model Shown:
IPS5317



22 22



WOODEN STORAGE BOX
No. 308440OR9 is included with the sets listed on this page.

1168 L x 571 H x 571 D. Wt. 54 kg.

MB16 Metal storage boxes also available.

Here's the ultimate in industrial puller sets! You'll find a puller for just about every job. Included in this "master set" are 17.5, 30 and 50 ton hydraulics, along with an extensive assortment of pullers, attachments and adapters.

Order No.	Description
IPS5317	17.5, 30 and 50 ton capacity manual and hydraulic puller set. Includes hydraulics, pullers, wooden storage box and accessories listed below. Wt., 572 kg.

HYDRAULICS	
Order No.	Description
P55	Single-stage hyd. hand. pump assembly
P460	Two-stage hyd. hand pump w/3-way control valve
RT172	17.5 ton center-hole twin cylinder w/threaded insert
RT302	30 ton center-hole twin cylinder w/threaded insert
RT503	50 ton center-hole twin cylinder w/threaded insert
9798	Hose half coupler (2)
9767E	Hydraulic hose – 1.8 m (2)
9670	Tee adapter
9059E	Pressure gauge

PULLERS	
Order No.	Description
1062	17.5 ton cap. Bi-Directional™ Puller w/419 mm legs
1070	30 ton cap. Bi-Directional™ Puller w/457 mm legs
1076	50 ton cap. Bi-Directional™ Puller w/610 mm legs
1066	17.5 ton 3-jaw hyd. puller
1074	30 ton 3-jaw hyd. puller
1080	50 ton 3-jaw hyd. puller
41224	17.5 ton 2-jaw puller head
41226	30 ton 2-jaw puller head
50449	50 ton 2-jaw puller head
1027	Combination 2/3-jaw puller
1037	Combination 2/3-jaw puller
1041	Combination 2/3-jaw puller
43892	Long jaws (3) for 1037
30902	Long jaws (3) for 1041
32136	Long jaws (2) for 1154
1105	572 mm legs for 1062
1106	241 mm legs for 1062
1107	114 mm legs for 1062
1109	203 mm legs for 1070
1111	711 mm legs for 1070
1113	864 mm legs for 1070

ACCESSORIES	
Order No.	Description
24832	Special puller forcing screw
24814	Speed crank
27198	Speed crank
29595	Speed crank
28228	Screw cap
201923	Pushing adapter
28229	Screw cap
28230	Screw cap

ACCESSORIES	
Order No.	Description
32118	Adjusting screw
32698	Adjusting screw
34758	Adjusting screw
34510	Pushing adapter
34755	Pushing adapter
201923	Pushing adapter
8075	Step plate adapter set
8076	Step plate adapter set
8056	Shaft protector set
679	Pulley pulling attachment
680	Pulley pulling attachment
1154	Bearing cup pulling attachment
1166	Bearing cup pulling attachment
1122	Bearing pulling attachment
1123	Bearing pulling attachment
1126	Bearing pulling attachment
1127	Bearing pulling attachment
1128	Bearing pulling attachment
1130	Bearing pulling attachment
34479	Reducing adapter

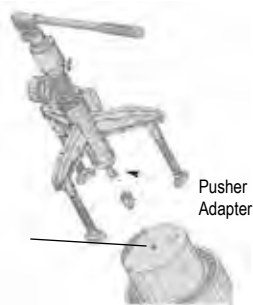
THREADED ADAPTERS	
Order No.	Description
8005	5/8" – 18 F. x 3/8" – 16 M. (2)
8006	5/8" – 18 F. x 1/2" – 20 M. (2)
8007	5/8" – 18 F. x 1/2" – 13 M. (2)
8010	5/8" – 18 F. x 5/8" – 11 M. (2)
8012	1" – 14 F. x 5/8" – 18 M. (2)
8013	5/8" – 18 F. x 3/4" – 16 M. (2)
8015	5/8" – 18 F. x 3/4" – 10 M. (2)
8017	5/8" – 18 F. x 7/8" – 14 M. (2)
8018	5/8" – 18 F. x 7/8" – 9 M. (2)
8019	5/8" – 18 F. x 1" – 14 M. (2)
8020	1" – 8 F. x 5/8" – 18 M. (1)
8021	1" – 8 F. x 1" – 14 M. (1)
8023	1 1/4" – 12 F. x 1" – 14 M. (2)
8024	1 1/4" – 12 F. x 1 3/4" – 12 M. (2)
8025	1 1/4" – 7 F. x 5/8" – 18 M. (2)
8027	1 1/4" – 7 F. x 1" – 14 M. (2)
8028	1 5/8" – 5 1/2 F. x 1" – 8 M. (1)
8029	1 5/8" – 5 1/2 F. x 1" – 14 M. (1)
8036	1" – 14 F. x 1" – 14 F. (2)
8038	5/8" – 18 F. x 3/4" – 16 F. (2)
8044	Female threaded adapter set

Pullers

CAUTION: All the items shown may not withstand the full tonnage specified.
Example: When an accessory with a 1 ton capacity is used with a 7 ton puller, the setup can be used only at a force of 1 ton.

Model Shown:

PHP8H, PHP8R



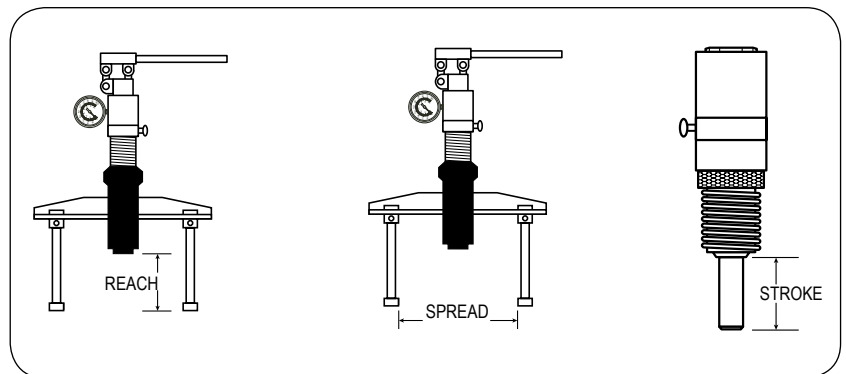
Features

IDEAL FOR INSTALLING A WIDE VARIETY OF PRESS-FIT PARTS.

- Power Team pushers have been rigorously tested for top performance and reliability at maximum capacity.
- These pushing systems are covered by Power Team's exclusive PowerThon™ Limited Lifetime Warranty — assuring you of the highest quality and reliability.

BEARING PUSHER KITS

- Portable pushing kits include an external Lock-Jaw™ puller, an internal puller, hydraulic cylinder, and a tri-section pulling attachment, all in one compact, lightweight unit complete with carrying case.



Ordering Information

Order No.	Description	Cylinder Cap. (ton)	Reach (mm)	Spread (mm)	Stroke (mm)	Weight with Case (kg)
PHP8H	Manual-Hydraulic Pusher	8	55 - 385	58 - 270	82	33,5
PHP8R	Remote Hydraulic Pusher	8	55 - 385	58 - 270	82	33,0
PHP8H-1	Manual-Hydraulic	8	55 - 385	58 - 270	82	53,0
PHP8R-1	Remote Hydraulic Pusher/Puller Kit	8	55 - 385	58 - 270	82	52,0



IMPORTANT SAFETY INFORMATION: Power Team recommends the use of protective blankets for all pushing operations. For ease of visual clarity, we have shown the pusher application photos without these safeguards.

Model Shown:
PH553C



ENFORCER 55

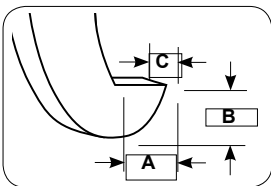
- 1 Puller can be assembled in 2 or 3-jaw configurations.
- 2 Hydraulically-actuated jaws allows cylinder to move in or out with a safe, secure grip on workpiece.
- 3 Hydraulic lift system for easy, precise position of puller.
- 4 Unique dual pump arrangement. Low pressure pump positions, holds and opens jaws. The high pressure pump advances and retracts the pushing cylinder without releasing clamped jaws.
- 5 Swivel casters give ease of mobility.
- 6 Large wheels make movement of cart easy.
- 7 Super Lock-Jaw™ feature means the harder the pull, the tighter the puller jaws grip. No chains or cages required to keep puller jaws from slipping or springing off the part being pulled.
- 8 Guards at pinch points protect operator.
- 9 Puller can be mounted on cart 90 degrees to right or left of puller cart centerline, permitting use in tight quarters, such as between machinery.
- 10 Self-centering design puller jaws will automatically grip work evenly.
- 11 Choice of cylinder with a 169 mm or 337 mm stroke.

Pushing Adapters

Order No.	Qty. *	A (mm)	B (mm)
251002	1	69,9	69,9
350593 **	2	69,9	152,4
350594	1	69,9	76,2
350637	1	69,9	254,0

* Number of adapters supplied with each Enforcer.
** Only 1 for units with 13.25" stroke.

IMPORTANT SAFETY INFORMATION: Power Team recommends the use of protective blankets for all pushing operations. For ease of visual clarity, we have shown the pusher application photos without these safeguards.



Ordering Information

Order No.	Puller Jaw Tip			Min. Spread (mm)	Reach Min. Spread (mm)	Max. Spread (mm)	Reach Max. Spread (mm)	Overall Length * (mm)	Cyl. Stroke (mm)	Power Source Requirements (mm)	Prod. Wt. (kg)
	A (mm)	B (mm)	C (mm)								
PH553C-E220	22,4	31,8	47,8	101,6	559	1,219	356	2,286	159	230 V, 50 Hz, 15 Amp Capacity	339
PH553C13-E220	22,4	31,8	47,8	101,6	381	1,219	178	2,286	337	230 V, 50 Hz, 15 Amp Capacity	352
PH553CL-E220	22,4	31,8	47,8	63,5	829	1,149	737	2,591	159	230 V, 50 Hz, 15 Amp Capacity	366
PH553C13-E220	22,4	31,8	47,8	63,5	651	1,149	559	2,591	337	230 V, 50 Hz, 15 Amp Capacity	379

* Cart and Puller (cart width = 813 mm)

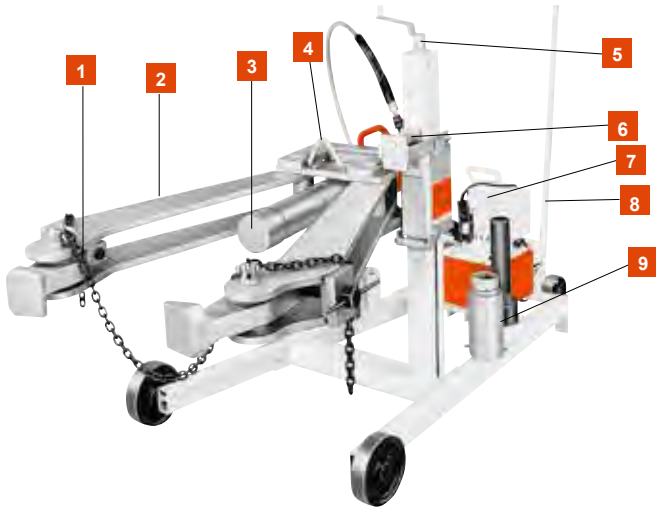
Conversion Kit

Conversion Kit No. 251468. Kit converts PH553C series to PH553CL series. Jaws are 305 mm longer. Kit contains three jaws and six straps with guards. Wt., 114 kg.



Note: Four cylinder extensions (not pictured) are included. The included lifting eyes (not pictured) permit use of an overhead crane to raise entire assembly.

Model Shown:
PH1002

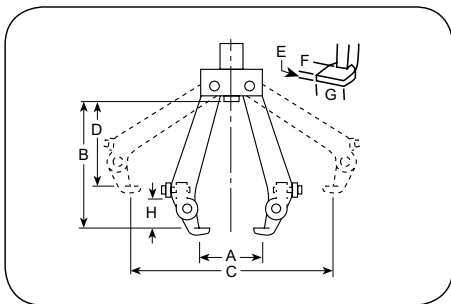


ENFORCER 100

- 1 Adjustable jaws mean they always pull on a flat surface. Retaining chain holds jaws in place during positioning.
- 2 Lock-Jaw™ feature means jaws grip progressively tighter as more pulling force is applied.
- 3 100 ton hydraulic cylinder is single-acting, spring return type with a maximum working pressure of 700 bar.
- 4 Lifting bracket allows puller to be lifted if the workpiece center is more than 914 mm off the floor.
- 5 Adjusting screw allows operator to move vertical position of the puller.
- 6 Spring loaded feature means Enforcer 100 will align itself on uneven pulls.
- 7 Hydraulic pump is a 2-stage, high pressure unit controlled by remote hand switch with 7,6 m cord.
- 8 Tow bar provides puller with plenty of mobility.
- 9 Pushing adapters have a diameter of 105 and 63,5 mm.



An ideal puller for steel mills, mines, oil fields, utility projects, paper mills, construction sites, railroads, airline shops, shipyards or anywhere else where large equipment and machinery pose tough maintenance challenges.



► **Ordering Information**

Order No.	Min. Spread	Reach Min. Spread	Max. Spread	Reach Max. Spread	Puller Jaw Tip			Max. Thick. Workpiece	Vertical Stroke Adjust.	Overall Length	Max. Thickness Workpiece	Wheel Dia.	Power Source Requirements
	A	B	C	D	E	F	G	H					
	(mm)	(mm)	(mm)					(mm)	(mm)	(mm)	(mm)	(mm)	
PH1002-E110	381	1067	1219	864	25,4	57,1	127	260	305 - 914	2388	305	260	220 V, 50 Hz, 13 Amp Capacity
PH1002J													

Ram Extensions							
Order No.	Adapter Type	Amount included w/puller	J (mm)	K (mm)	L (mm)	M (mm)	N (mm)
44745	Push	1	105	—	343	63,5	—
44766	Ext.	4	105	—	—	—	203
303045	Push	1	105	79,4	—	—	—

“ENFORCER 100” UNIVERSAL PULLER	
Order No.	Description
PH1002-E220	100 ton, 2-jaw universal hydraulic puller. Includes: 2-jaw Grip-O-Matic® puller, PE552S-E220 2-speed electric/hydraulic power unit, C10010C 100 ton hydraulic cylinder with 260 mm stroke and six adapters. Wt., 404 kg.
PH1002J-E220	Same as PH1002-E220, but without hydraulic power unit. Wt., 404 kg.
PE552S-E220	Pump only. 0,84 kW, 220 volt, 50 Hz, single phase, draws 13 amps at full load.

Note: Also available in E110

Model Shown:

PR3100J, PR3100S



Our roller bearing pullers are ideal for replacing tough, worn-out bearings on RR freight cars.



The photo above shows the Universal Puller in position on the roller bearing assembly, which is ready for removal.

Features

UNIVERSAL RAILROAD AXLE JOURNAL ROLLER BEARING PULLER/INSTALLER.

- Quickly remove or install tapered roller bearings.
- With both sling and jack models available and two pumps to choose from, you can tailor the unit to match your needs.
- The industry standard in most wheel shops.
- Each unit will service a full line of bearings with rotating end caps, from class B thru GG.
- Designed with the cooperation of major bearing manufacturers.
- Fast, simple, one-person operation with 100-tons of pulling force provided.
- Completely portable for easy, convenient positioning and out-of-the-way storage.
- Each unit complete with a heavy-duty 100-ton hydraulic cylinder, 700 bar pump with remote control solenoid valve, hydraulic pressure gauge (11543), a pulling shoe and installing tube.
- CSA certified (LR19814)



Protective Blankets



Power Team has protective blankets available which may afford protection from injury to users and others should part breakage occur. For more information, see page 242.



CAUTION

Power Team recommends the use of these blankets for all pushing, pulling, pressing, and lifting applications.

Ordering Information

Order No.	Model Type	Cylinder Type	Valve Type	Kw	Pump Information Phase	Voltage
PR2100J-E220 †	Jack	Double-Acting	Solenoid	1,5 **	1	230 V*
PR3100J-E380 †	Jack	Double-Acting	Solenoid	2,2	3	400 V*
PR2100S-E220 †	Sling	Double-Acting	Solenoid	1,5	1	230 V*
PR3100S-E380 †	Sling	Double-Acting	Solenoid	2,2	3	400 V*

* Prewired at factory for these voltages. Other voltages available upon request.

** The 2 hp, 115VAC requires 30 amp service.

† Equipped with hydraulic pressure gauge 11543.

▶ Tooling Ordering Information

IMPORTANT: This tooling chart applies only to standard AAR configurations for freight car applications. In order to provide adapters needed to service housing-type locomotive and passenger car bearings, as well as metric bearings, Power Team must be provided with the following information. Bearing manufacturer's name and general arrangement drawing number, size of bearing to be serviced, railroad name and location and part numbers of adapters already in your possession if you currently own a Puller/Installer.

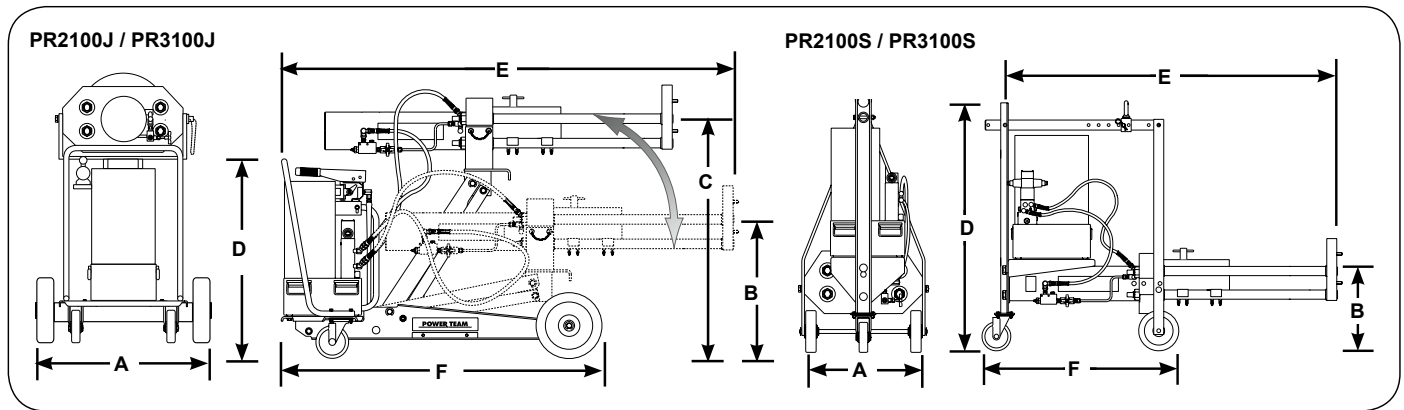
Tool Description	Class and size of bearing assembly - TBU & SP "Metric Tooling"			
	120	130	140	150
Pulling Shoe, Insert Adapter	351830	30512	30521	30520
Guide Tube & Cap Screw Assy.	253341	253342	253343	253344
Cap Screw *	253339	253394	253339	253395
Guide Tube Adapter	212247	21247	21247	21247
Installing Tube Adapter Ring	253335	253336	253337	253338

* Screws are supplied with the guide tube and should be ordered as replacements only.

Tool Description	Class and size of bearing assembly to be serviced									
	Class B 108 x 203	Class C 127 x 229	Class D 140 x 254	Class E 152 x 279	Class EE 140 Axle	Class EE 152 Axle	Class F 165 x 305	Class G 178 x 305	Class G 165 Axle	Class GG 165 Axle
Pulling Shoe	420845 is included as part of basic machine - Do Not Order							420846	420846	420846
Pulling Shoe, Insert Adapter	30522	30512	30521	30520	30520	30519	30519	—	—	—
Guide Tube & Cap Screw Assy.	253313	253314	253317	253318	253316	253327	253320	253321	253319	253323
Cap Screw *	253156	253349	253308	253155	253307	253308	253310	253326	253309	253309
Guide Tube, No Adapter	23934	21248	21248	21247	21247	21247	21247	21247	21247	21247
Installing Tube	30416 is included as part of basic machine - Do Not Order							30417	30417	30417
Installing Tube Adapter Ring	21242	21258	21256-1	21255-1	21255-1	21257-1	21257-1	30586	30585	30585

* Screws are supplied with the guide tube and should be ordered as replacements only.

NOTE: Adapters listed above are for servicing the following roller bearing assemblies: Brenco "Crown-Taper", New Departure-Hyatt "Hy-Roll Taper", SKF "Expediter" and Timken "AP".



▶ Technical Dimensions

Order No.	A	B	C	D	E	F	Stroke (mm)	Capacity		Advance (mm/min.)	Speed		Weight (kg)
	(mm)	(mm)	(mm)	(mm)	(mm)	(mm)		Pull (tons)	Inst. (tons)		Pull (mm/min.)	Inst. (mm/min.)	
PR2100J	813	383	1059	912	1981	1493	394	100	68	900	81	113	528
PR3100J	813	383	1059	912	1981	1493	394	100	68	900	81	113	520
PR2100S	619	279	—	1283	1632	985	394	100	68	900	81	113	455
PR3100S	619	279	—	1283	1632	985	394	100	68	900	81	113	458

UNIVERSAL BEARING CUP INSTALLER



This installer adjusts to fit bearing cups from 92 to 165 mm O.D. It replaces over two dozen plates and drivers. Simply adjust the jaws to fit the cup I.D., lock the jaws, slip the new cup on and drive it home with a hammer.

Order No.	Description
7180	Universal bearing cup installer. Wt., 4,5 kg.

ASSEMBLE YOUR OWN "CUSTOM-MADE" DRIVER TOOLS



These sets include discs and handles for custom seal driver assembly to provide a pilot (to prevent cocking), a spacer (so force is applied on the proper area) and a driver (for even force dist.). Discs range from 12,7 thru 114,3 mm diameters in 1,6 mm increments. Each set includes a handy plastic box with pre-cut tool tray.

Order No.	Description
27793	STARTER SET. Contains handle and discs especially selected to provide the driver sizes most frequently needed. Maximum utility at a modest investment! Wt., 1,8 kg.



27797 Master Set
(Board not included)

Patent No. 4,429,447

Order No.	Description
27794	BASIC SET. Wide coverage, low investment! Includes 41 discs and two handles. Size range: 12,7 thru 76,2 mm diameter. Wt., 10 kg.
27795	BIG JOB SET. Used for servicing large components. You get coverage of 77,8 thru 114,3 mm diameter with the 24 discs and handle provided. Wt., 20,4 kg.
27797	MASTER SET. For maximum coverage. Three handle sizes and all 65 discs listed in chart below are included. Range: 12,7 thru 114,3 mm diameter. Wt., 30,9 kg.
212377	TOOL ORGANIZER BOARD. Will accommodate all components of 27797 Master Set. Tools not included. Wt., 2,3 kg.

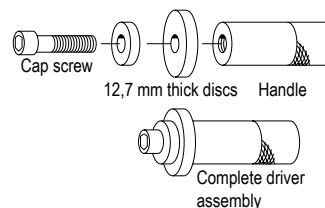
DISCS

SET COMPONENTS

Order No.	Discs (mm)	Order No.	Discs (mm)	Order No.	Discs (mm)
27491	12,7	27512	46,0	27534	81,0
27492	14,2	27513 †	47,8	27535	82,6
27493 †	16,0	27514	49,3	27536	84,1
27494	17,5	27515	50,8	27537	85,9
27495 †	19,1	27516	52,3	27538	87,4
27496	20,6	27517	54,1	27539	88,9
27497 †	22,4	27518	55,6	27540	90,4
27498	23,9	27519	57,2	27541	92,2
27499 †	25,4	27520	58,7	27542	93,7
27500	26,9	27521	60,5	27543	95,3
27501 †	28,7	27522	62,0	27544	96,8
27502	30,2	27523	63,5	27545	98,6
27503 †	31,8	27524	65,0	27546	100,1
27504	33,3	27525	66,8	27547	101,6
27505 †	35,1	27526	68,3	27548	103,1
27506	36,6	27527	69,9	27549	104,9
27507 †	38,1	27528	71,4	27550	106,4
27508	39,6	27529	73,2	27551	108,0
27509 †	41,4	27530	74,7	27552	109,5
27510	42,9	27531	76,2	27553	111,3
27511 †	44,5	27532	77,7	27554	112,8
		27533	79,5	27555	114,3

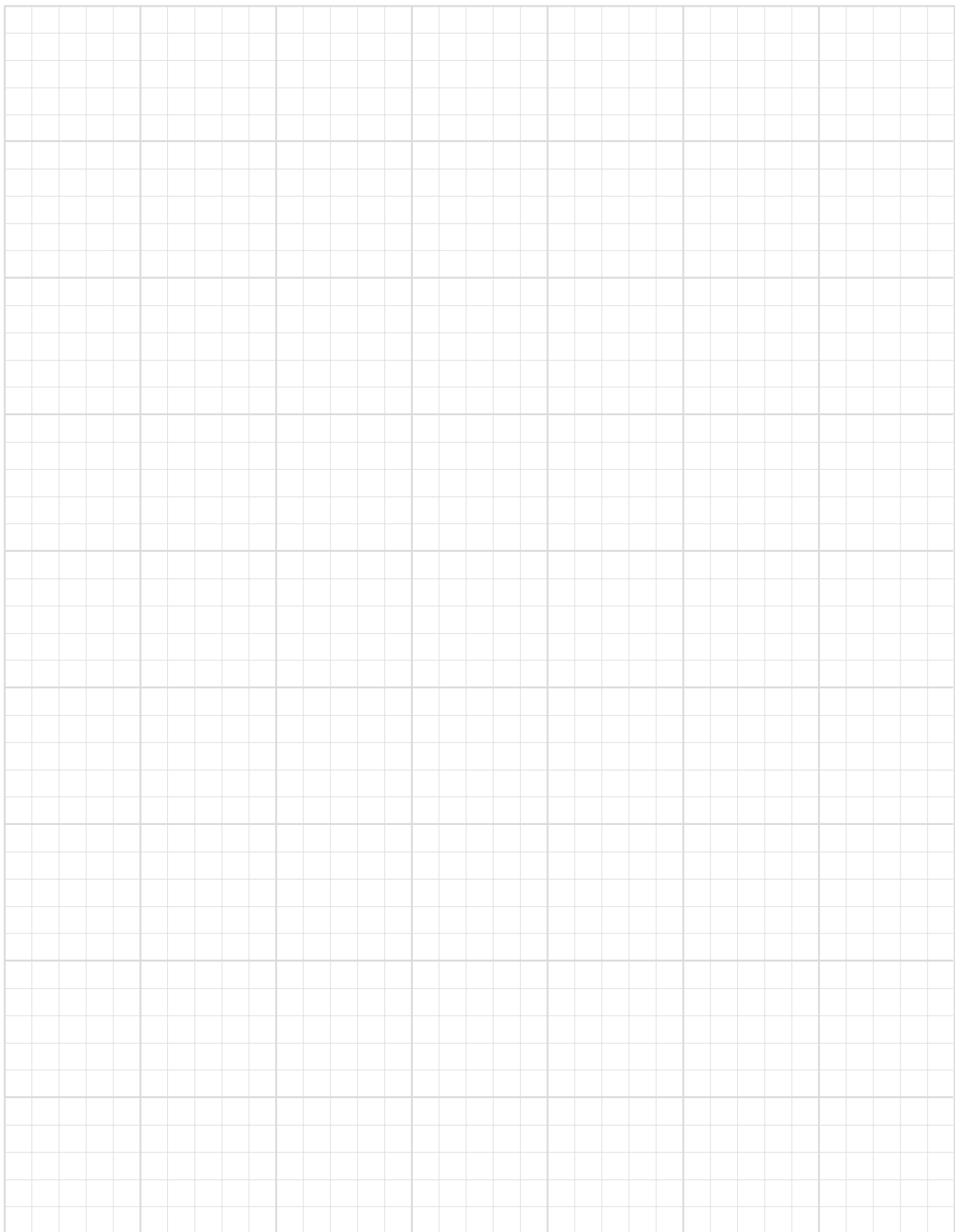
Order No.	Description
10012 †	1/4"-20 UNC X 22,2 mm *
10020 †	1/4"-20 UNC X 31,8 mm *
10854 †	1/4"-20 UNC X 44,5 mm
10855 †	1/4"-20 UNC X 70 mm *
12001 †	1/4"-20 UNC X 57,1 mm *
27487 †	Small Handle 127 x 19 mm Dia.
27488	Med. Handle 152 x 41 mm Dia.
27489	Large Handle 152 x 41 mm Dia.
27490	Extension Tube
7350 †	Allen Wrench

* Socket head cap screw.



These sets have the proper-size driver for any seal, bearing or bushing installing job. Select the proper-size discs, attach to handle with cap screws and strike with hammer.

† Items contained in 27793 starter set.



Pullers