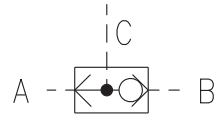


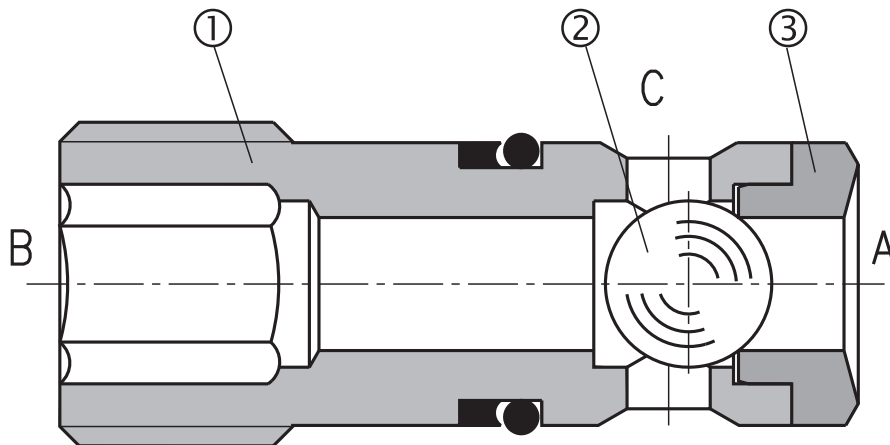
- Compact design
- Poppet design
- Comparing and transmitting a pressure signal



Functional Description

LV1-043 is 3 way poppet valve consists of the valve housing (1), the seat (3) and the ball (2).

It connects the users A or B with C according to the size of the control pressure in these ports.



Ordering Code

LV1-043

Logical Valve

Nominal size

04

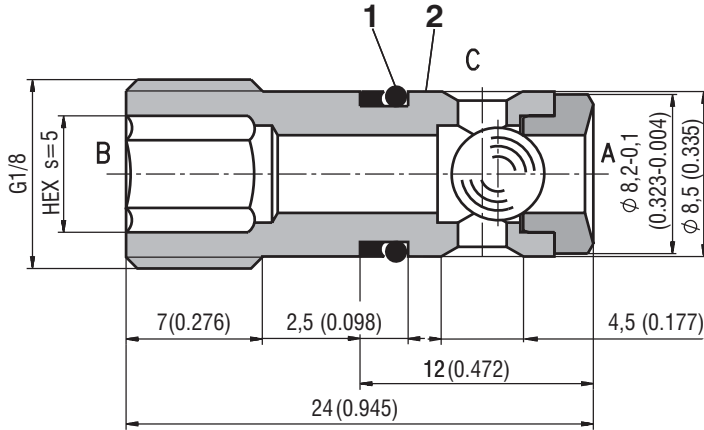
3 way design

Technical Data

Nominal size		04
Maximum flow rate	L/min (GPM)	8 (2.113)
Maximum working pressure	bar (PSI)	500 (7252)
Hydraulic fluid		Hydraulic oils of power classes (HL, HLP) to DIN 51524
Fluid temperature range (NBR)	°C (°F)	-30 ... +100 (-22... +212)
Viscosity range	mm ² /s (SUS)	20 ... 400 (98... 1840)
Maximum degree of fluid contamination		Class 21/18/15 to ISO 4406
Mounting position		unrestricted
Weight	kg (lbs)	0,01 (0.022)

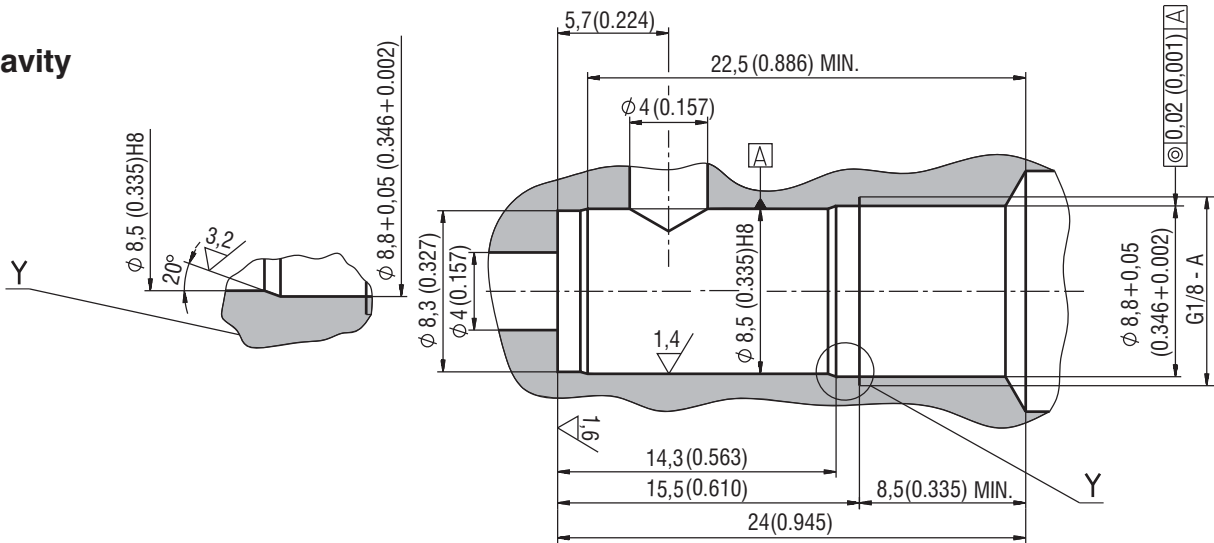
Valve Dimensions

Dimensions in millimetres and inches



- 1 Thrust ring 8,5 x 6,8 x 1 (1 pc.)
- 2 O-ring 6 x 1 (1 pc.)
(supplied with valve)

Cavity



Spare Parts

Seal kit

Type	Dimensions, quantity	Ordering number
O-ring	6 x 1 (1 pc.)	16755700
Thrust ring	8,5 x 6,8 x 1 (1 pc.)	

Caution!

- The packing foil is recyclable.
- Tightening torque 12 Nm.
- The technical information regarding the product presented in this catalogue is for descriptive purposes only. It should not be construed in any case as a guaranteed representation of the product properties in the sense of the law.

ARGO-HYTOS s.r.o. CZ - 543 15 Vrchlaví
 Tel.: +420-499-403111, Fax: +420-499-403421
 E-mail: sales.cz@argo-hytos.com
 www.argo-hytos.com