

- Subplates for individual mounting of hydraulic components in hydraulic circuits with connections realized by tubes or hoses
- Universal subplates for connection of any components with installation dimensions to ISO 4401: 1994, DIN 24 340 and CETOP
 Installation dimensions of size 04: ISO 4401-02-01-0-94 and CETOP - RP 121H
 Installation dimensions of size 06: ISO 4401-03-02-0-94 and DIN 24 340-A6
 Installation dimensions of size 10: ISO 4401-05-04-0-94 and DIN 24 340-A10
- Special subplates - see the Survey of Applications
- The valve housing surface is phosphate coated



Survey of Applications

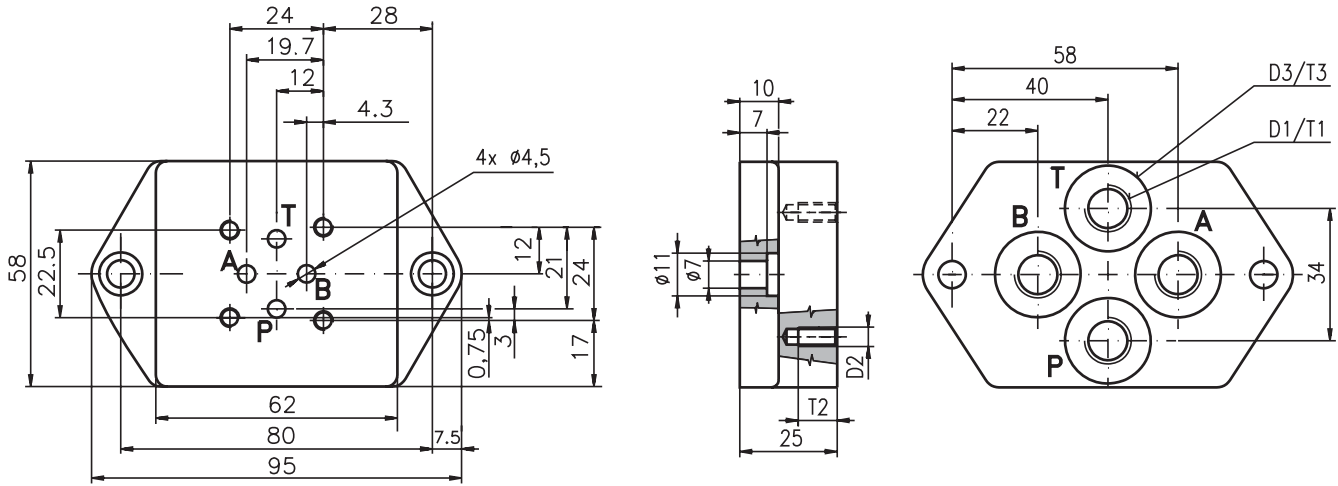
Subplate	For hydraulic valve (catalogue No.)
Size 04	
DP4-04/32-3 DP4-04/32-4 DP3-04/32-10	RPE3-04 (HA 4014) VSO1-04/M (HA 5053) VJR1-04/M (HA 5023) VJO1-04/M (HA 5012) VRP2-04 (HA 5142) VPP2-04 (HA 5093)
Size 06	
DP2-06/32-1 DP2-06/32-2 DP3-06/32-1 DP3-06/32-2 DP3-06/32-3 DP3-06/32-4 DP3-06/32-5 DP3-06/32-7 DP3-06/32-8 DP3-06/32-9 DP3-06/32-11 DP3-06/32-12 DP3-06/32-13 DP3-06/32-15 DP3-06/32-16 DP3-06/32-17	RPR3-06 (HA 4004) RPH2-06 (HA 4005) RPE3-06 (HA 4010) VSS1-206 (HA 5032) VSS1-306 (HA 5033) VSS2-206 (HA 5041) 2VS3-06 (HA 5051) 2RJV1-06 (HA 5021) MVJ3-06 (HA 5018) VPP2-04 (HA 5093)

Subplate	For hydraulic valve (catalogue No.)
Size 10	
DP1-10/32-1 DP1-10/32-2	RPE3-10 (HA 4015) VSO2-10/M (HA 5056) VJR2-10/M (HA 5025) MVJ3-10 (HA 5020)
Special subplates	
D-06M/VPP1 D-06G/VPP1 D-08M/VPP1 D-08G/VPP1 D-10M/VPP1 D-10G/VPP1 DP3-TS2-1 DP3-TS2-3	VPP1 (HA 5061) VPP2 (HA 5062) TS2 (HA 9201) TS2 (HA 9201)

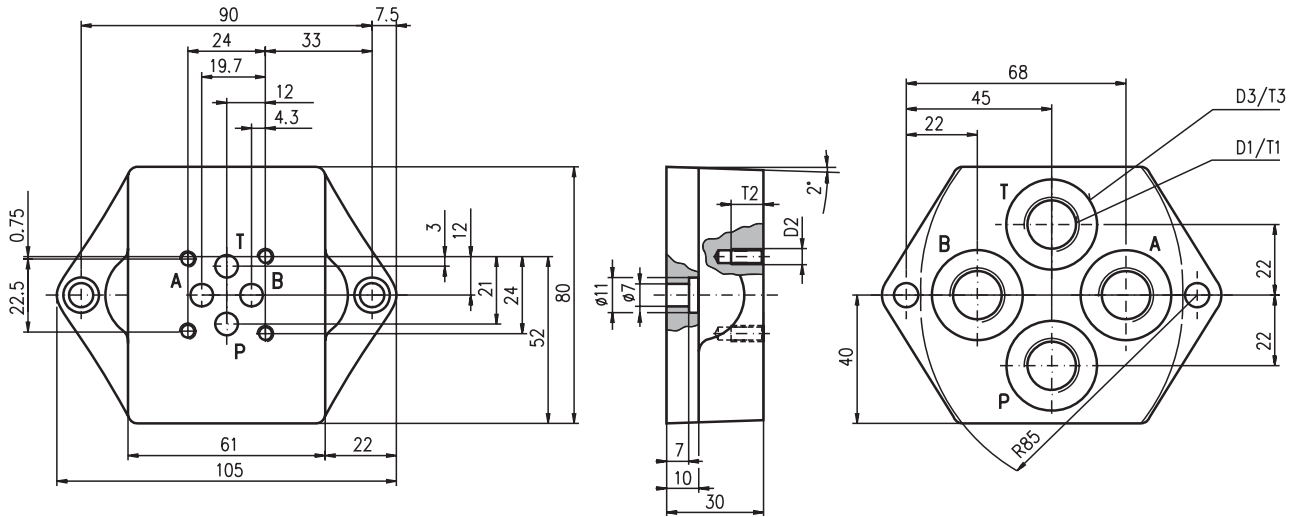
FOR PREFERRED TYPES SEE BOLD TYPING IN SURVEY OF APPLICATIONS

Subplates Size 04

Dimensions in millimetres



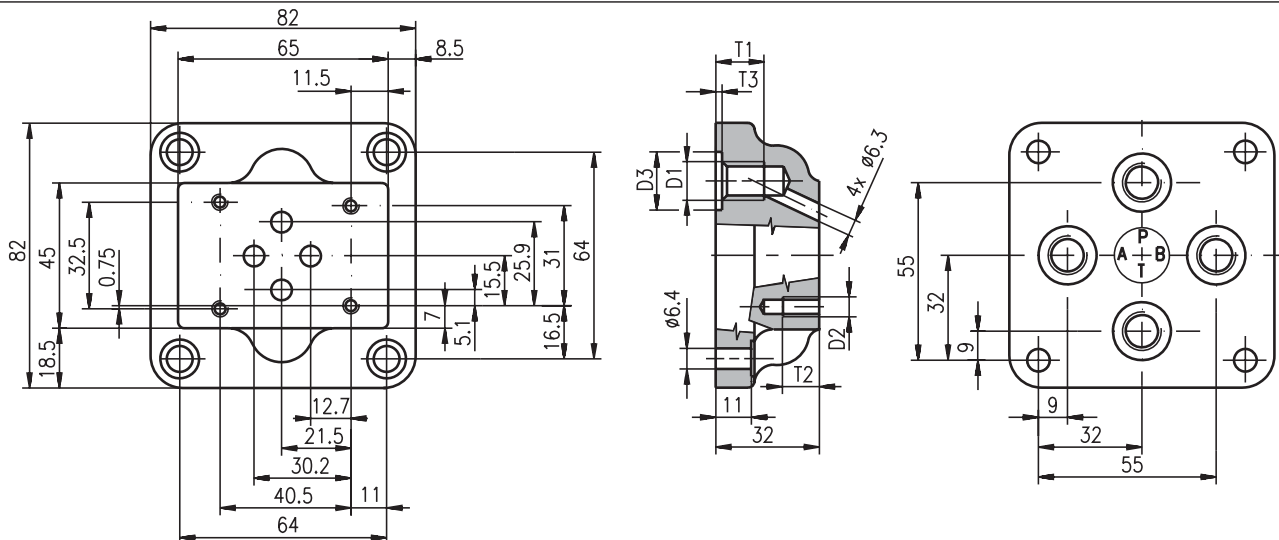
Ordering code	D1	T1	D2	T2	D3	T3	Weight kg
DP4-04/32-3	M12x1.5	13	M5	10	Ø22	1	0,6
DP4-04/32-4	BSPP 1/4						



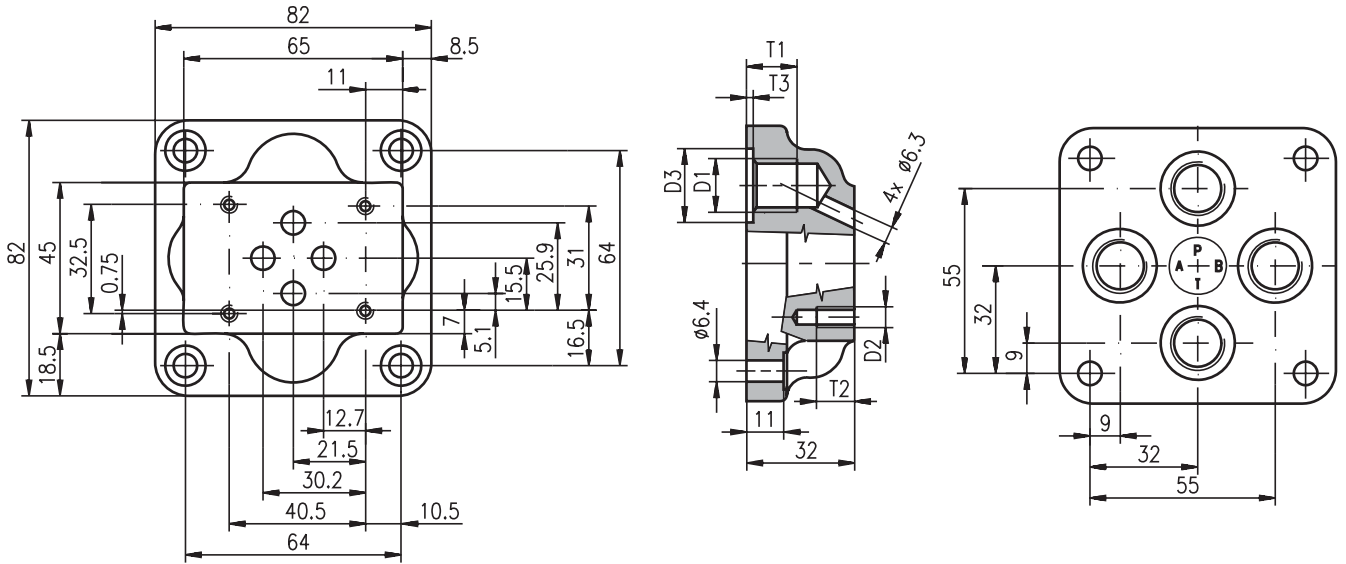
Ordering code	D1	T1	D2	T2	D3	T3	Weight kg
DP3-04/32-10	BSPP 3/8	12	M5	10	Ø28	1	0.9

Subplates Size 06

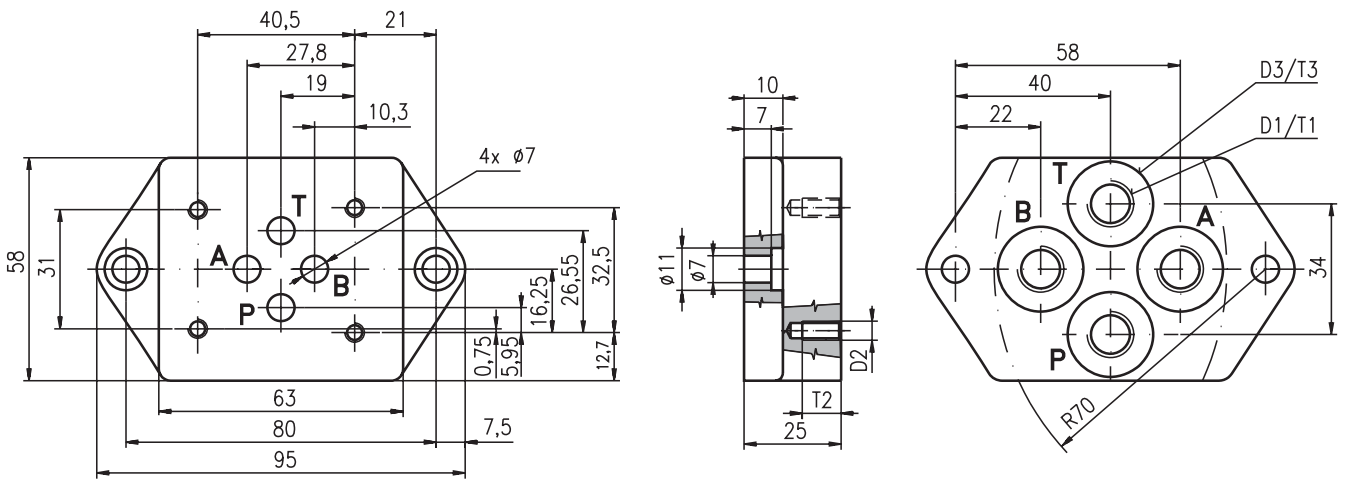
Dimensions in millimetres



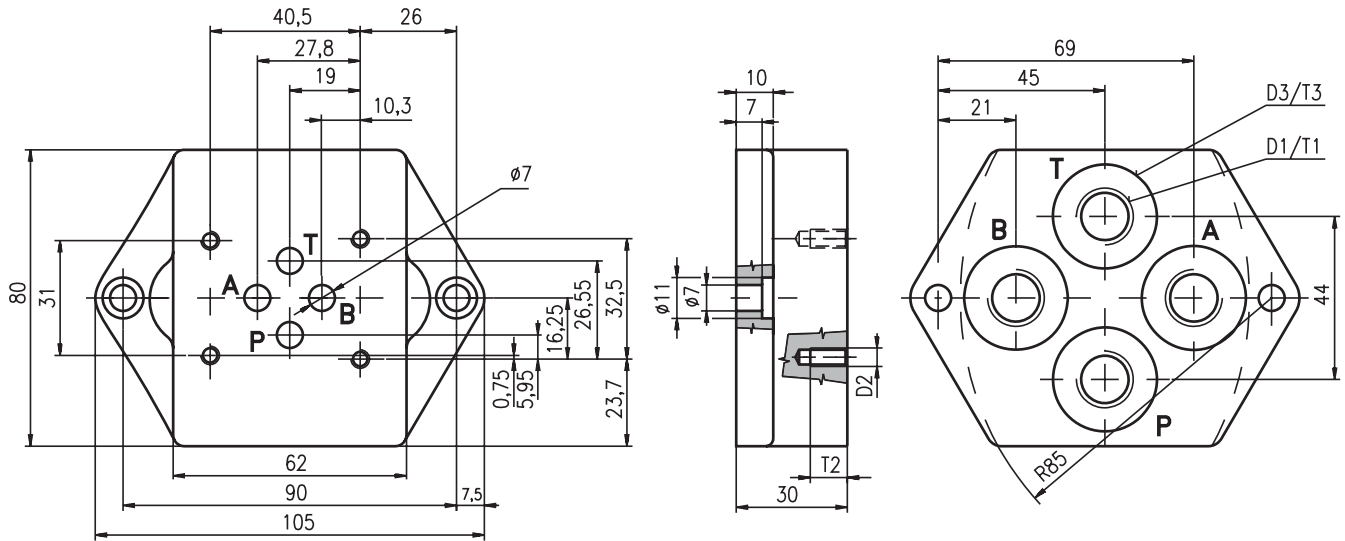
Ordering code	D1	T1	D2	T2	D3	T3	Weight kg
DP2-06/32-1	M12x1.5	15	M5	11	Ø18	2	0.95



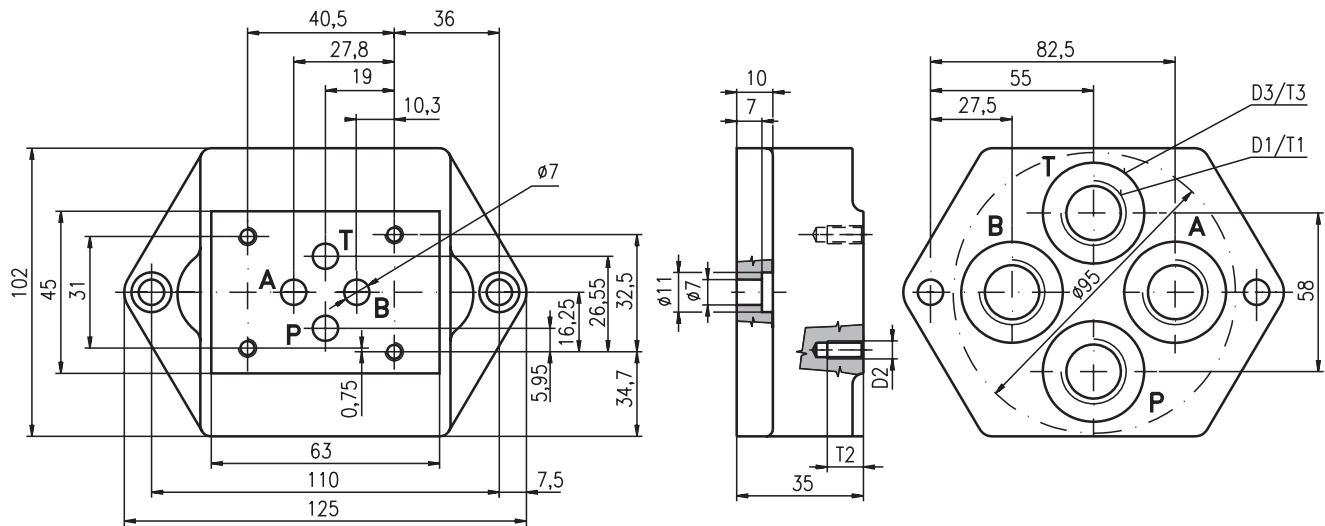
Orderig code	D1	T1	D2	T2	D3	T3	Weight kg
DP2-06/32-2	M16x1.5	17	M5	11	∅22	2	0.95



Ordering code	D1	T1	D2	T2	D3	T3	Weight kg
DP3-06/32-1	M12x1.5	13	M5	10	∅22	1	0.6
DP3-06/32-2	M14x1.5						
DP3-06/32-7	BSPP 1/4						
DP3-06/32-15	NPT 1/4	10	-		-		
DP3-06/32-11	SAE-6; 9/16-18	13	10-24 UNC		∅21	0.8	



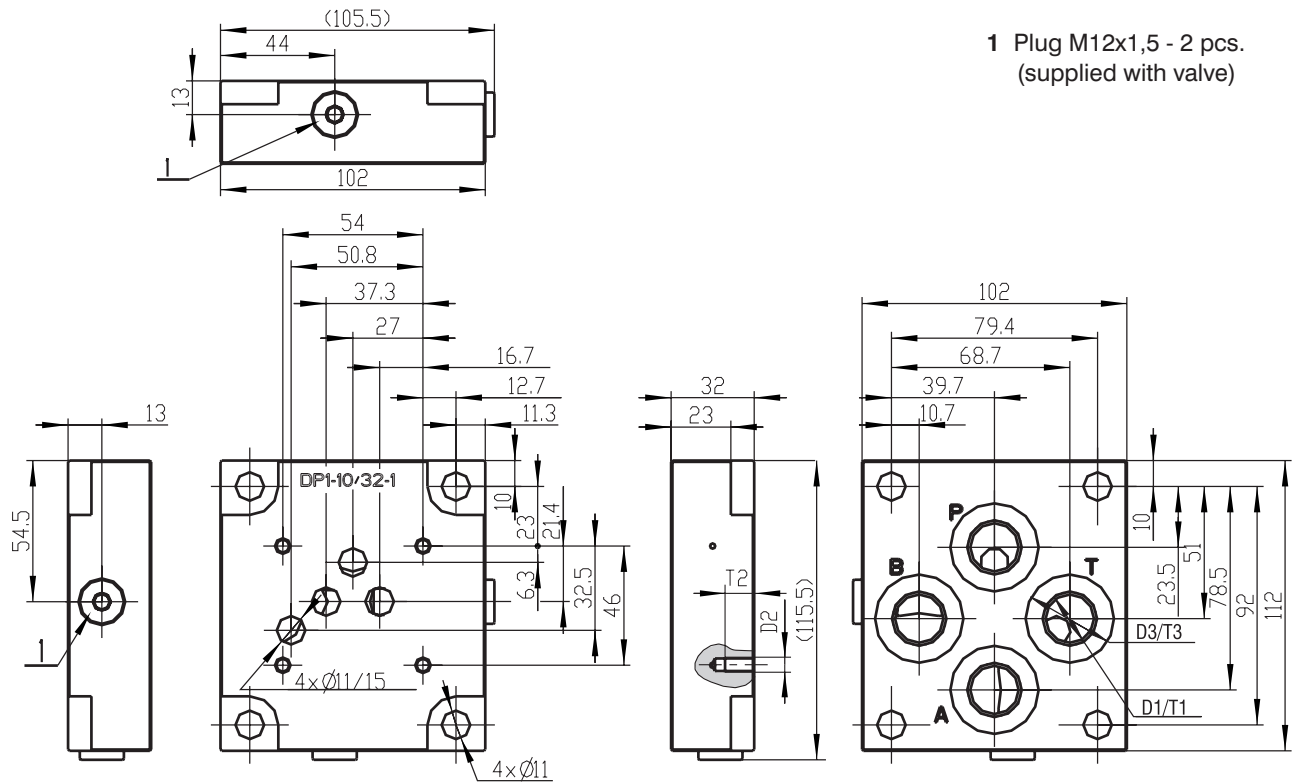
Ordering code	D1	T1	D2	T2	D3	T3	Weight kg
DP3-06/32-3	M16x1.5	0.512 (13)	M5	10	∅28)	1	1.1
DP3-06/32-4	M18x1.5						
DP3-06/32-8	BSPP 3/8						
DP3-06/32-16	NPT 3/8	10.3	10-24 UNC	-	-	-	-
DP3-06/32-12	SAE-8; 3/4-16	15		∅25	0.8	-	-



Ordering code	D1	T1	D2	T2	D3	T3	Weight kg
DP3-06/32-5	M22x1.5	14	M5	10	∅34	1	1.9
DP3-06/32-9	BSPP 1/2						
DP3-06/32-17	NPT 1/2						
DP3-06/32-13	SAE-8; 3/4-16	15	10-24 UNC	-	-	0.8	-

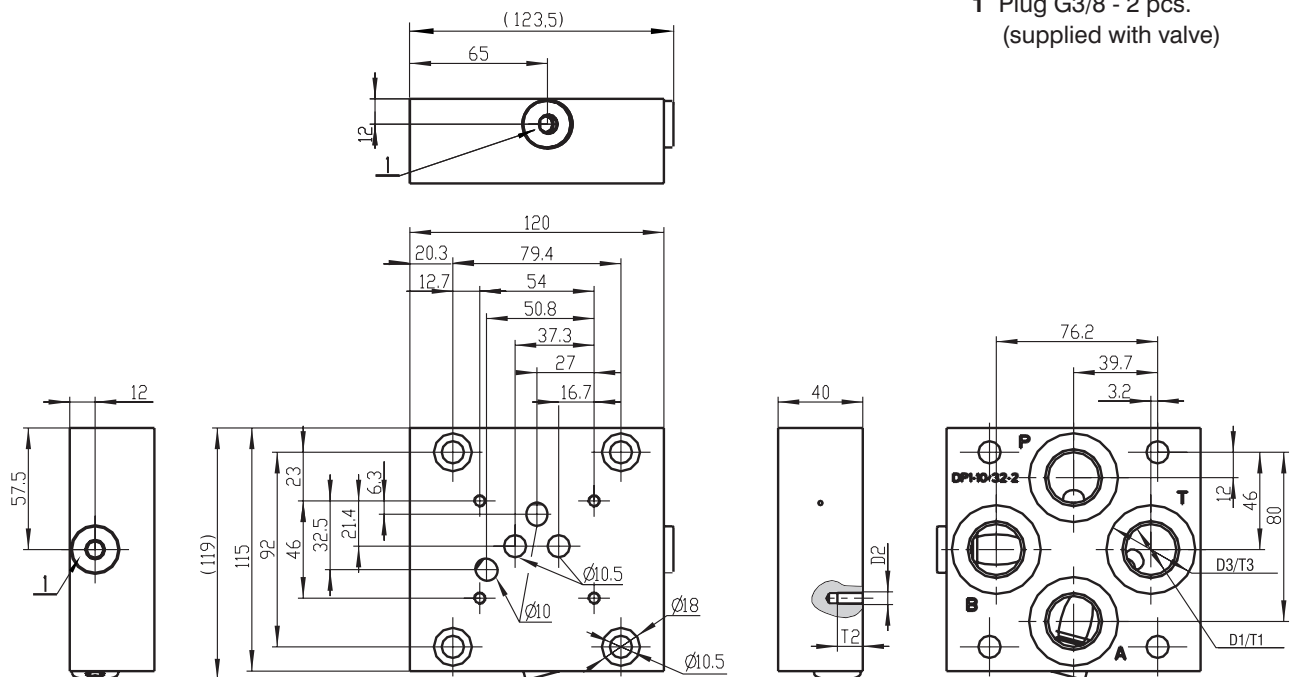
Subplates Size 10

Dimensions in millimetres



1 Plug M12x1,5 - 2 pcs.
(supplied with valve)

Ordering code	D1	T1	D2	T2	D3	T3	Weight kg
DP1-10/32-1	BSPP 1/2	14	M6	12	∅34	1	2.3

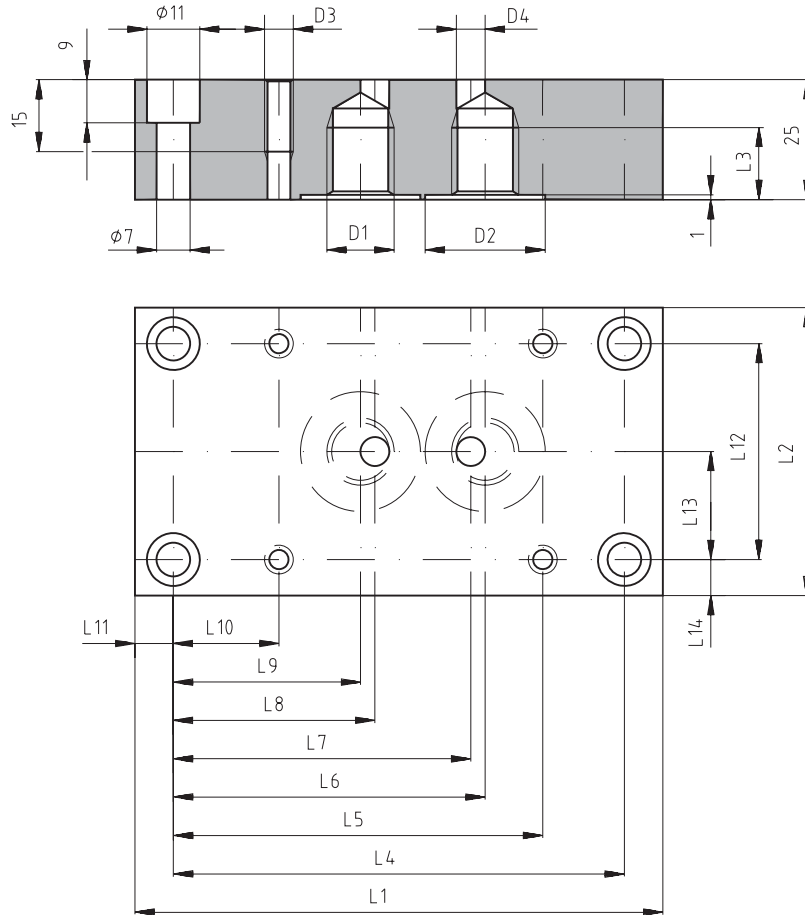


1 Plug G3/8 - 2 pcs.
(supplied with valve)

Ordering code	D1	T1	D2	T2	D3	T3	Weight kg
DP1-10/32-2	BSPP 3/4	16	M6	12	∅42	1	2.5

Special Subplates

Dimensions in millimetres



Ordering code	D1	ØD2	D3	ØD4	L1	L2	L3	L4	L5
D-06M/VPP1	M14x1.5	25	M6	6	110	60	15	94	77
D-06G/VPP1	BSPP 1/4								
D-08M/VPP1	M18x1.5	28	M8	10	135	80	16	115	97.5
D-08G/VPP1	BSPP 3/8								
D-10M/VPP1	M22x1.5	34)							
D-10G/VPP1	BSPP 1/2								
Ordering code	L6	L7	L8	L9	L10	L11	L12	L13	L14
D-06M/VPP1	65	62	42	39	22	8	45	225	7.5)
D-06G/VPP1									
D-08M/VPP1	80.5	72.5	48.5	40.5	27.5	10	60	30	10
D-08G/VPP1									
D-10M/VPP1									
D-10G/VPP1									

Weight of the subplate size 06 is 1.5 kg, weight of the subplates size 08 and 10 is 2.0 kg.

Caution!

- The packing foil is recyclable.
- The transport plate is to be returned to the supplier.
- Mounting bolts for fixing the subplates are not included.
- The technical information regarding the product presented in this catalogue is for descriptive purposes only. It should not be construed in any case as a guaranteed representation of the product properties in the sense of the law.

ARGO-HYTOS s.r.o. CZ - 543 15 Vrchlabí
 Tel.: +420-499-403111, Fax: +420-499-403421
 E-mail: sales.cz@argo-hytos.com
 www.argo-hytos.com